
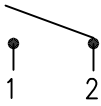
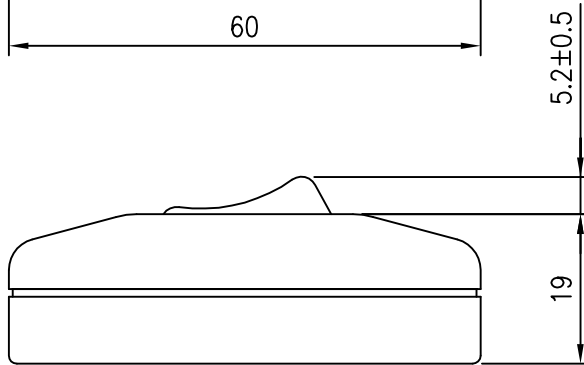
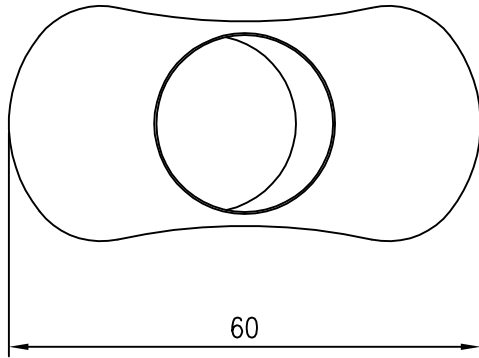
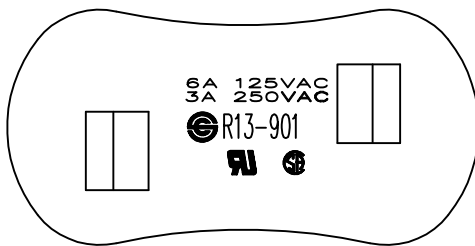
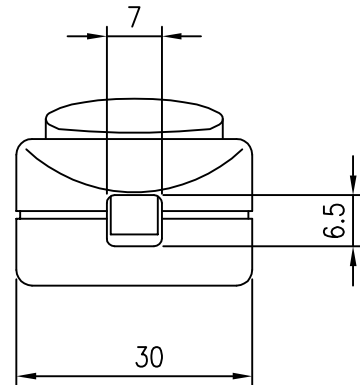


Rating	6A 125V AC 3A 250V AC		Circuit Diagram 
Contact Resistance	50m ohm Max.		
Insulation Resistance	DC 500V 100M ohm Min.		
Dielectric Strength	AC 1500V 1 minute		
Switch Function	2P SPST ON-OFF		



Material:
 Frame: Nylon 66 (94-V2), Black
 Actuator: Nylon 66 (94-V2), Black



Tolerances Unless Otherwise Specified ±0.3

A4

							△
							△
Date	Name	Description					No.
Drawn	Checked	Approved	SCI BOM No.	1910002	Model Name	IN-LINE SWITCH	
邱 權	楊金江	王佰山	Customer No.		Model No.	R13-901	
11/18/10	12/21/10	12/29/10	Unit	mm			
							Rev. 0