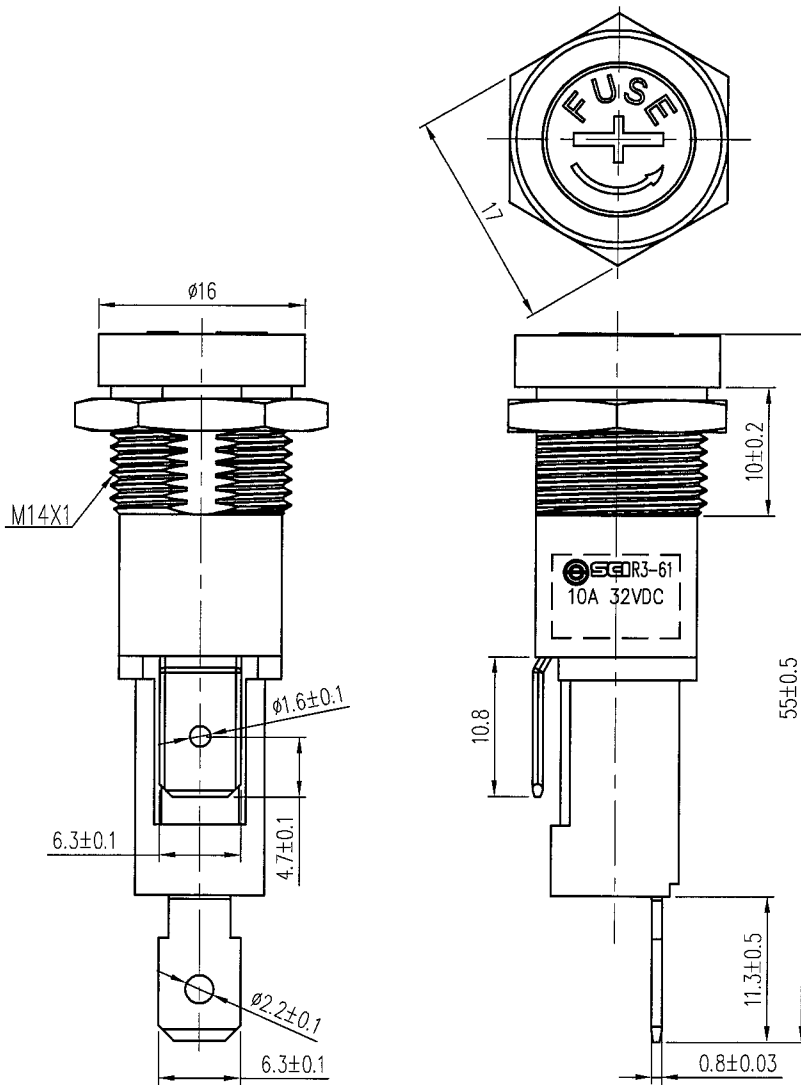


Rating	10A 32VDC		
Dielectric Strength	AC 1500V 1 minute		
Operation Temperature	-20°C~85°C		
Fuse size	$\phi 6.35 \times 30L$ $\phi 6.35 \times 31.8L$		

Fuse in optional

\*MATERIAL:  
 Frame: Black, PC  
 Cap: Black, PBT



Tolerance  $\pm 0.3$  except otherwise specified.

						△	
						△	
						NO	
Date	Name	Description					
Drawn	Checked	Approved	SCI BOM No.	1310574	Model Name	FUSE HOLDER	
曹盈芳		王伯良	Customer No.		Model No.	R3-61A	REV.
01/14/15		1/14/15	Unit	mm			0