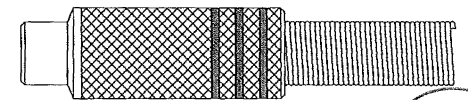
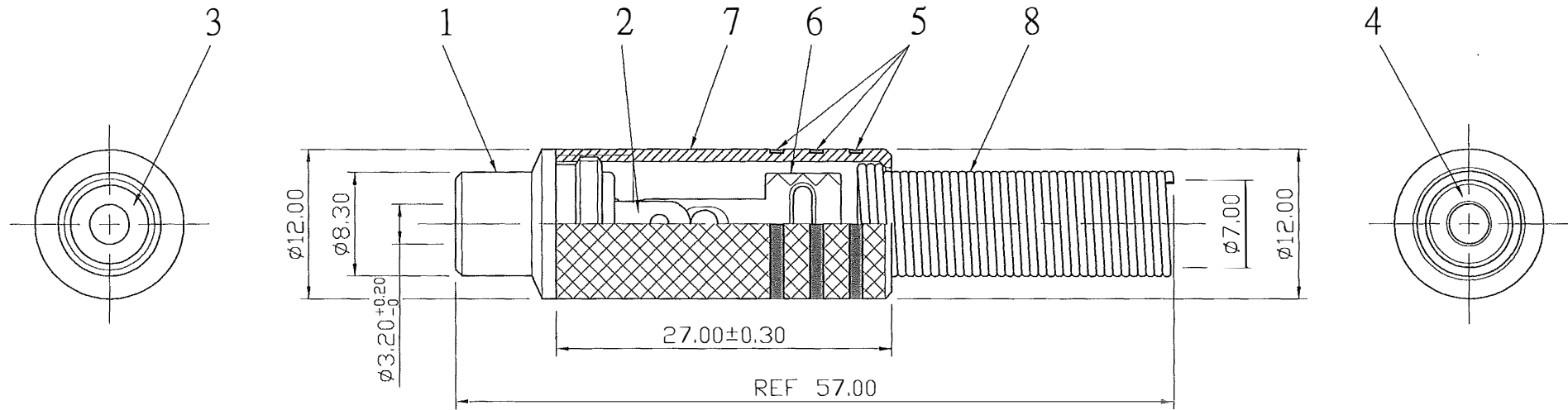


No.	DATE	DESCRIPTION	REV
△	2017. 04. 18	Drawing to renew 圖面更新	A

REMARK : RoHS REQUIREMENT APPLIED
(符合RoHS)



S 1 : 1



8	spring	1	iron	gold	
7	shell	1	brass	gold	
6	clip	1	brass	gold	
5	color ring	3	PVC	red/black/white	
4	insulator	1	ABS	white	
3	insulator	1	bakelite	white	
2	contact pin	1	brass	gold	
1	body	1	brass	gold	
NO.	Description	Unit	Materials	Finish	Drawing No.

DIMENSIONS ARE IN MILLIMETERS

UNLESS OTHERWISE SPECIFIED TOLERANCES (一般公差)
 0.5-6 = ±0.2
 >6-30 = ±0.4
 >30-120 = ±0.6
 >120-315 = ±1
 >315-1000 = ±1.6
 ANGLES(角度) = ±5°

CHECKED



DRAWN

Chad

DATE

2011. 04. 21

TITLE

RCA JACK

DRAWING NO.

RJ-123GG-WHITE

FILE NO. DRAWING\AUDIO\RJ-123GG-ABS-RK/BK/WE-7.0