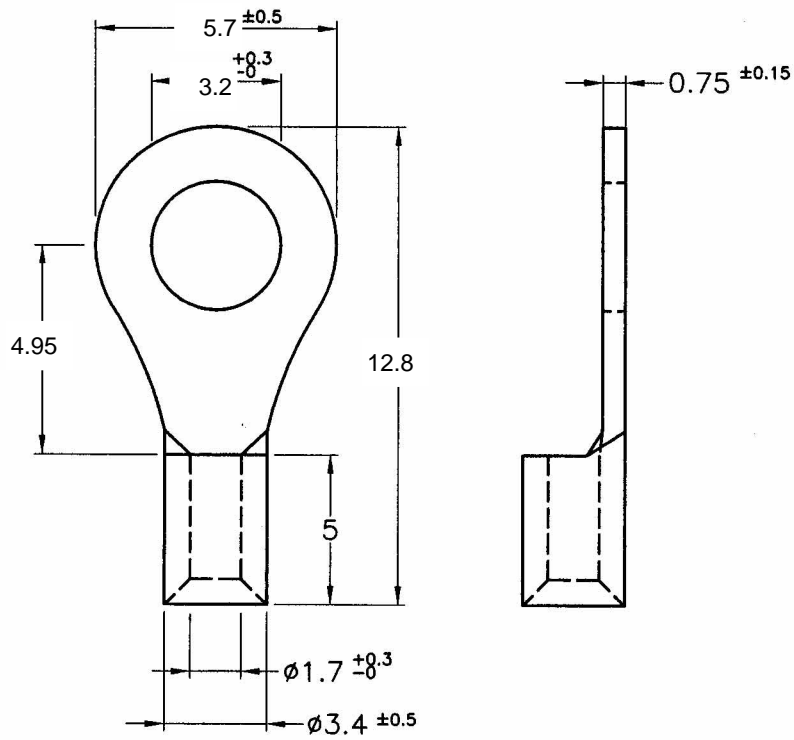


REVISIONS			
REV	DESCRIPTION	DATE	BY



MAXIMUM ELECTRIC CURRENT: 19 AMPERE (22-16 A.W.G)

PART NUMBER <b>SEE ABOVE</b>				DRAWING NUMBER <b>RNBL1-H</b>		TITLE <b>圓型裸端子</b>		<b>產品規格圖面</b>			
				TERMINAL MAT'L COPPER		FINISH TIN PLATED		DATE 1998.05.25		DRAWN JASON	
				COLOR		CHECK 		UNLESS OTHERWISE SPECIFIED TOLERANCE ±1.0		APPROVED 	
				SIZE A4	SCALE NONE	UNIT mm	REV A	UNLESS OTHERWISE SPECIFIED TOLERANCE ±1.0		APPROVED 	