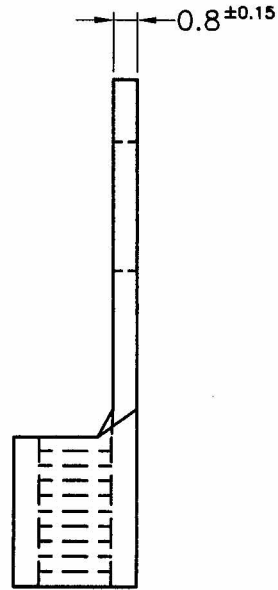
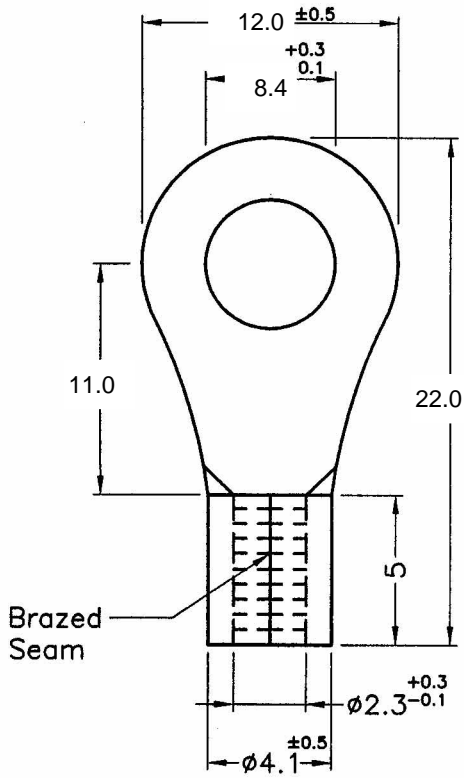


REVISIONS			
REV	DESCRIPTION	DATE	BY
B			



MAXIMUM ELECTRIC CURRENT: 27 AMPERE (16-14)

PART NUMBER SEE ABOVE				DRAWING NUMBER RNB2-H		TITLE 圓型裸端子		產品規格圖面			
				MATERIAL COPPER		FINISH TIN PLATING		DATE 1998.05.26		DRAWN <i>James</i>	
				COLOR		UNLESS OTHERWISE SPECIFIED TOLERANCE ±1.0		CHECK		APPROVED	
				SIZE A4		SCALE NONE		UNIT mm		REV A	