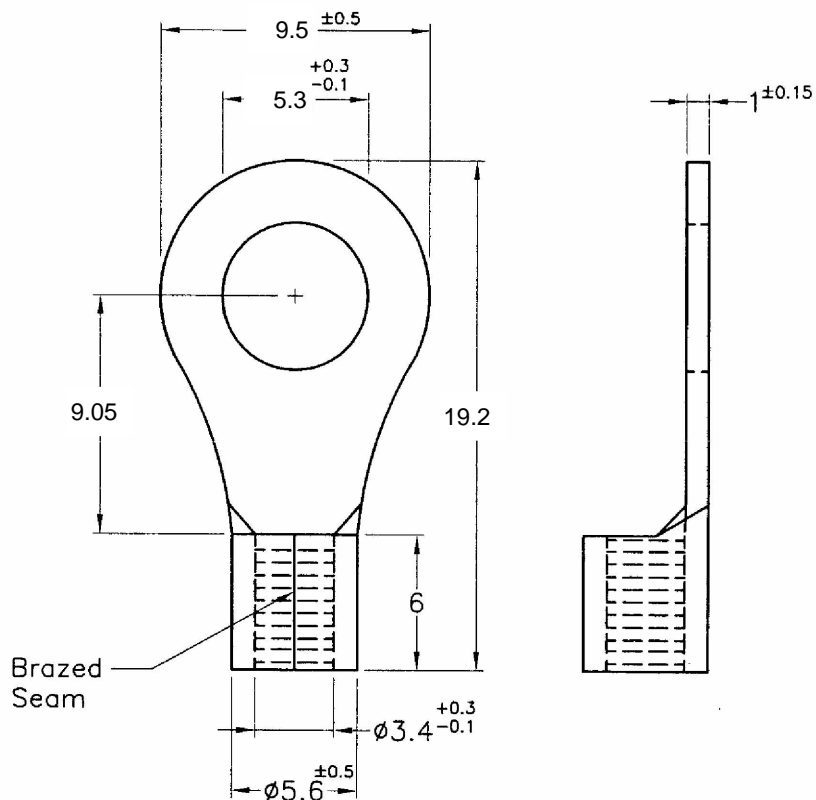


REVISIONS			
REV	DESCRIPTION	DATE	BY
B	RNB5-5 的L尺寸19.8修改為19.2	89.12.27	JASON



MAXIMUM ELECTRIC CURRENT: 48AMPERE (12-10 A.W.G)

PART NUMBER <b>SEE ABOVE</b>		DRAWING NUMBER <b>RNB5-H</b>		TITLE	<b>圓型裸端子</b>	<b>產品規格圖面</b>	
				MATERIAL	<b>COPPER</b>	DATE	<b>2000.12.27</b>
				FINISH	<b>TIN PLATING</b>	DRAWN	<b>JASON</b>
				COLOR		CHECK	
SIZE	SCALE	UNIT	REV	UNLESS OTHERWISE SPECIFIED TOLERANCE	<b><math>\pm 1.0</math></b>	APPROVED	
<b>A4</b>	<b>NONE</b>	<b>mm</b>	<b>B</b>				