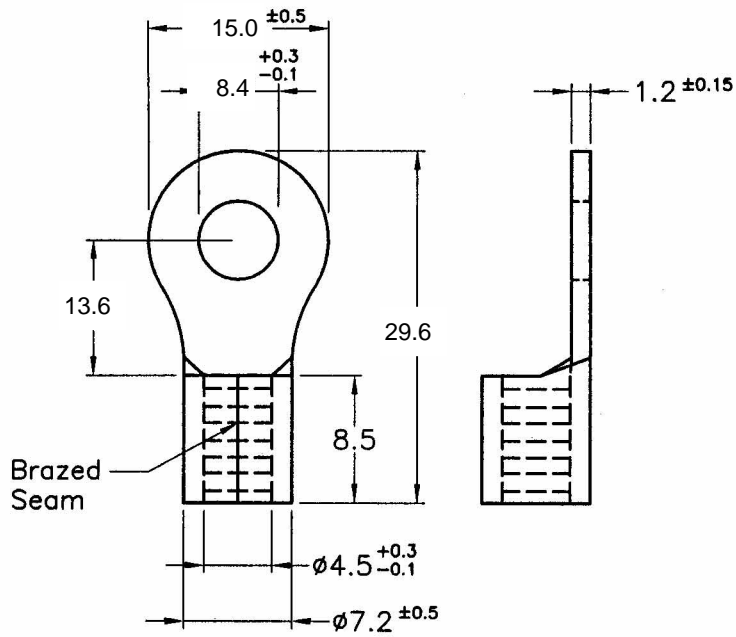


REVISIONS			
REV	DESCRIPTION	DATE	BY



MAXIMUM ELECTRIC CURRENT: 62 AMPERE (8 A.W.G)

PART NUMBER <b>SEE ABOVE</b>				DRAWING NUMBER <b>RNB8-H</b>		TITLE 圓型裸端子		產品規格圖面			
				MATERIAL COPPER		FINISH TIN PLATING		DATE 1998.05.20		DRAWN JASON	
				COLOR		CHECK		UNLESS OTHERWISE SPECIFIED TOLERANCE $\pm 1.0$		APPROVED	
				SIZE A4	SCALE NONE	UNIT mm	REV A				