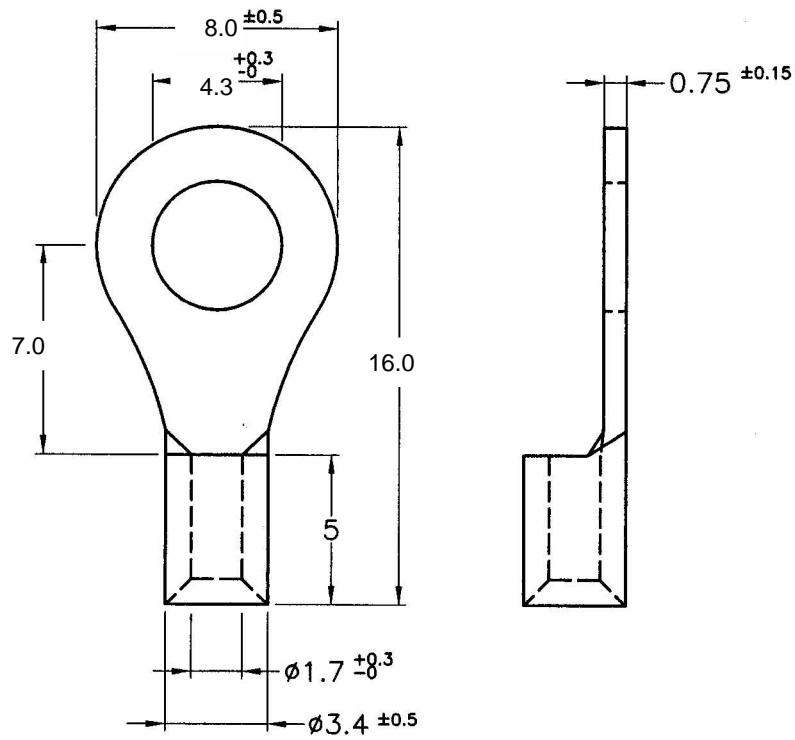


REVISIONS			
REV	DESCRIPTION	DATE	BY



MAXIMUM ELECTRIC CURRENT: 19 AMPERE (22-16 A.W.G)

PART NUMBER SEE ABOVE				DRAWING NUMBER RNBL1-H		TITLE 圓型裸端子		產品規格圖面					
				TERMINAL MAT'L COPPER		FINISH TIN PLATED		DATE 1998.05.25		DRAWN JASON			
				COLOR UNLESS OTHERWISE SPECIFIED TOLERANCE ±1.0		CHECK 		APPROVED 		SIZE A4		SCALE NONE	
				UNIT mm		REV A		UNLESS OTHERWISE SPECIFIED TOLERANCE ±1.0		APPROVED 		SIZE A4	