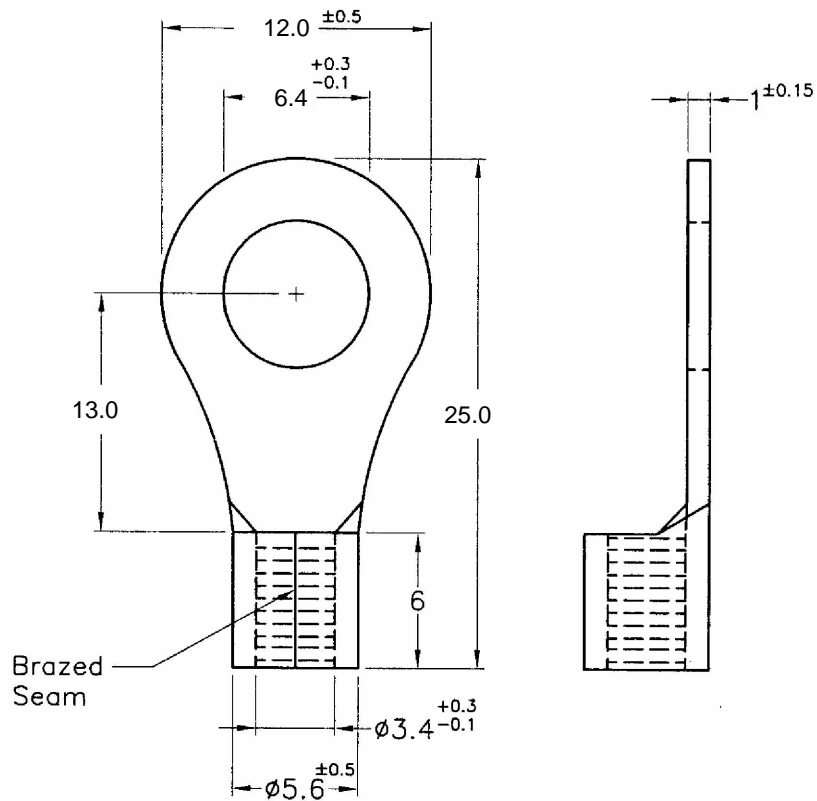


| REVISIONS | | | |
|-----------|------------------------|----------|-------|
| REV | DESCRIPTION | DATE | BY |
| B | RNB5-5 的L尺寸19.8修改為19.2 | 89.12.27 | JASON |



MAXIMUM ELECTRIC CURRENT: 48AMPERE (12-10 A.W.G)

| | | | | | | | | | | | |
|---------------------------------|----|---------------------------------|------|----------|-------------|--------|------------|--------------------------------------|-----------|----------|--|
| PART NUMBER SEE ABOVE | | DRAWING NUMBER RNB5-H | | TITLE | 圓型裸端子 | 產品規格圖面 | | | | | |
| | | | | MATERIAL | COPPER | DATE | 2000.12.27 | | | | |
| | | | | FINISH | TIN PLATING | DRAWN | JASON | | | | |
| | | | | COLOR | | CHECK | | | | | |
| SIZE | A4 | SCALE | NONE | UNIT | mm | REV | B | UNLESS OTHERWISE SPECIFIED TOLERANCE | ± 1.0 | APPROVED | |