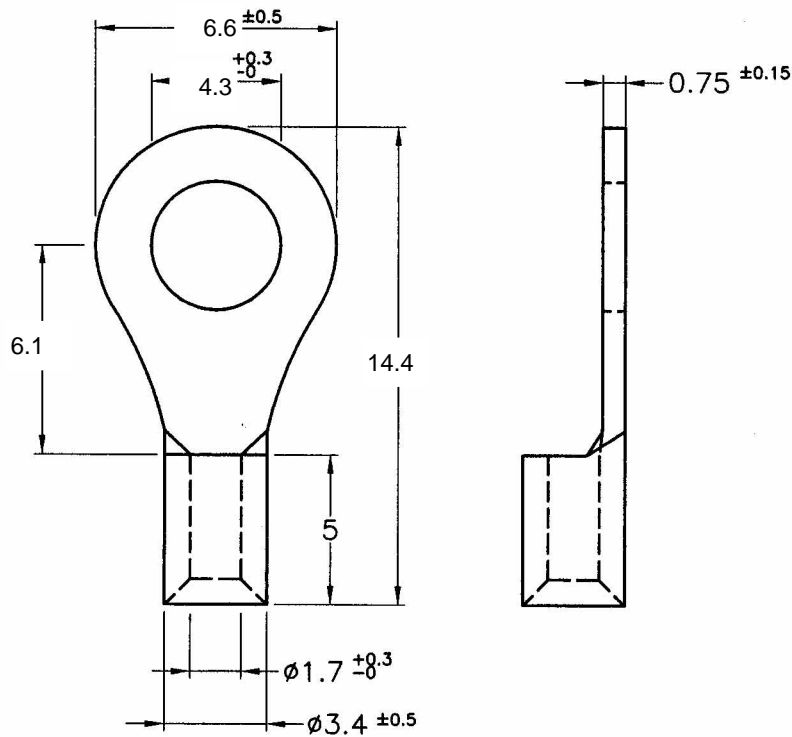


REVISIONS			
REV	DESCRIPTION	DATE	BY



PART NO.	A	W	L	F
RNB1-3.2	3.2	5.7	12.8	4.95
RNBS1-3.7	3.7	5.7	12.8	4.95
RNBM1-3.7	3.7	6.6	14.4	6.1
RNBL1-3.7	3.7	8.0	15.6	6.6
RNBS1-4	4.3	6.6	14.4	6.1
RNBL1-4	4.3	8.0	16.0	7.0
RNB1-5	5.3	8.0	16.0	7.0
RNB1-6	6.5	11.6	21.8	11.0
RNB1-8	8.4	11.6	21.8	11.0
RNB1-10	10.5	14.0	26.0	14.0
RNB1-12	13.2	19.2	30.7	16.0

MAXIMUM ELECTRIC CURRENT: 19 AMPERE (22-16 A.W.G)

PART NUMBER SEE ABOVE				TITLE 圓型裸端子		產品規格圖面	
				TERMINAL MAT'L COPPER		DATE 1998.05.25	
				FINISH TIN PLATED		DRAWN JASON	
				COLOR		CHECK 	
DRAWING NUMBER RNBL1-H		UNLESS OTHERWISE SPECIFIED TOLERANCE ±1.0		APPROVED 		SIZE A4	
SCALE NONE		UNIT mm		REV A		NONE	