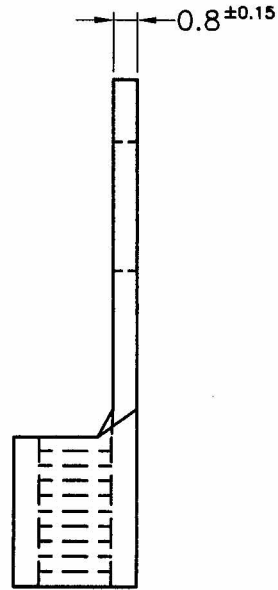
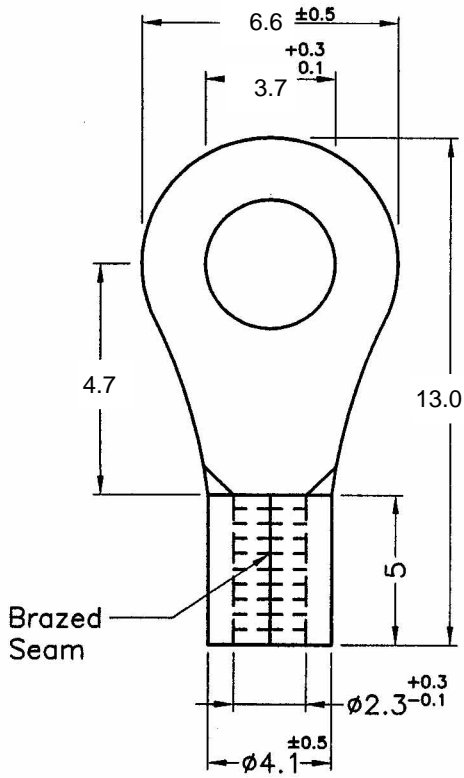



REVISIONS			
REV	DESCRIPTION	DATE	BY
B			



MAXIMUM ELECTRIC CURRENT: 27 AMPERE (16-14)

PART NUMBER <b>SEE ABOVE</b>				DRAWING NUMBER		TITLE					
				RNB2-H		圓型裸端子		產品規格圖面			
				MATERIAL		COPPER		DATE		1998.05.26	
				FINISH		TIN PLATING		DRAWN		<i>James</i>	
				COLOR				CHECK			
SIZE	SCALE	UNIT	REV	UNLESS OTHERWISE SPECIFIED TOLERANCE		APPROVED					
A4	NONE	mm	A	±1.0		