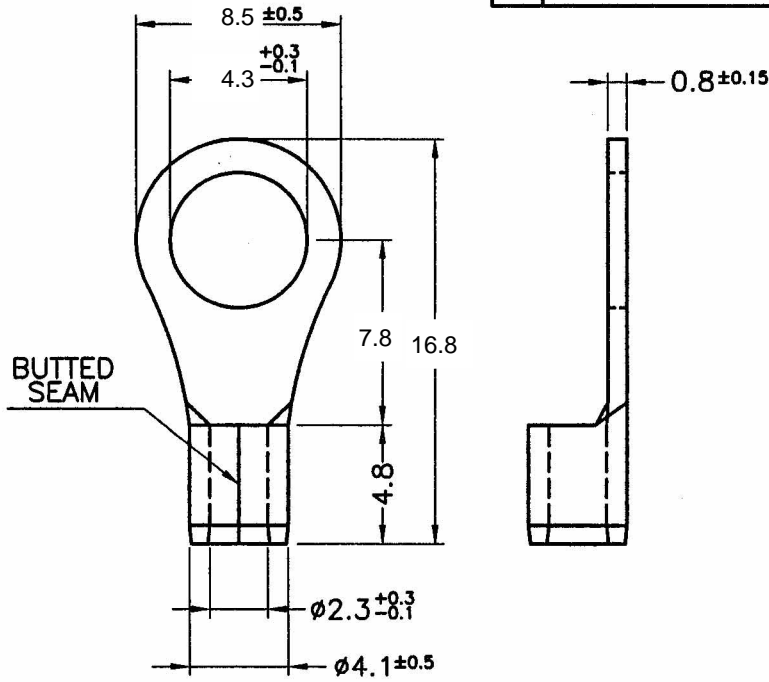



REVISIONS			
REV	DESCRIPTION	DATE	BY



MAXIMUM ELECTRIC CURRENT: 27 AMPERE (16-14 A.W.G)

PART NUMBER SEE ABOVE				DRAWING NUMBER RN2-H		TITLE 圓型裸端子		產品規格圖面			
				TERMINAL MAT'L COPPER		FINISH TIN PLATED		DATE 2003.01.15		DRAWN JASON	
				COLOR 		UNLESS OTHERWISE SPECIFIED TOLERANCE ± 1.0		CHECK 		APPROVED 	
				SIZE A4	SCALE NONE	UNIT mm	REV A				