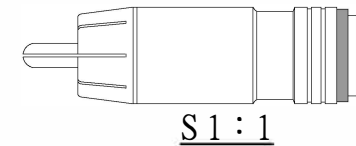
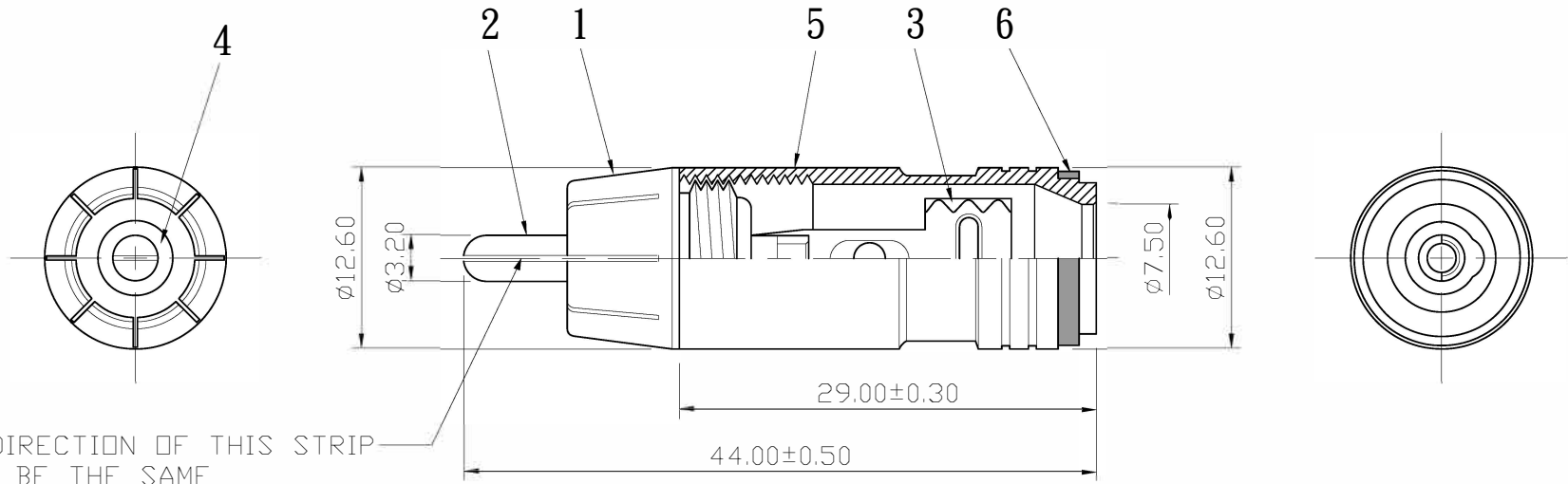


No.	DATE	DESCRIPTION	REV
△	2013. 02. 27	Drawing to renew 圖面更新	A

REMARK : RoHS REQUIREMENT APPLIED
(符合RoHS)



7						DIMENSIONS ARE IN MILLIMETERS UNLESS OTHERWISE SPECIFIED TOLERANCES (一般公差) 0.5~6 = ±0.2 >6~30 = ±0.4 >30~120 = ±0.6 >120~315 = ±1 >315~1000 = ±1.6 ANGLES(角度) = ±5°			CHECKED		TITLE RCA PLUG		
6	color ring	1	aluminum	blue/red/gold/silver anodic treatment									DRAWN <i>Tina</i>
5	shell	1	brass	zinc alloy		DATE 2011. 01. 27		FILE NO. DRAWING\AUDIO\RP\RP-1141ZAG-TEF-A-BE\RD\G\S-7.5					
4	insulator	1	PTFE	white						SCALE 2 : 1 UNIT MM			
3	clip	1	brass	gold		Drawing No.							
2	contact pin	1	brass	gold									
1	body	1	brass	gold									
NO.	Description	Unit	Materials	Finish	Drawing No.					SCALE	2 : 1	UNIT	MM