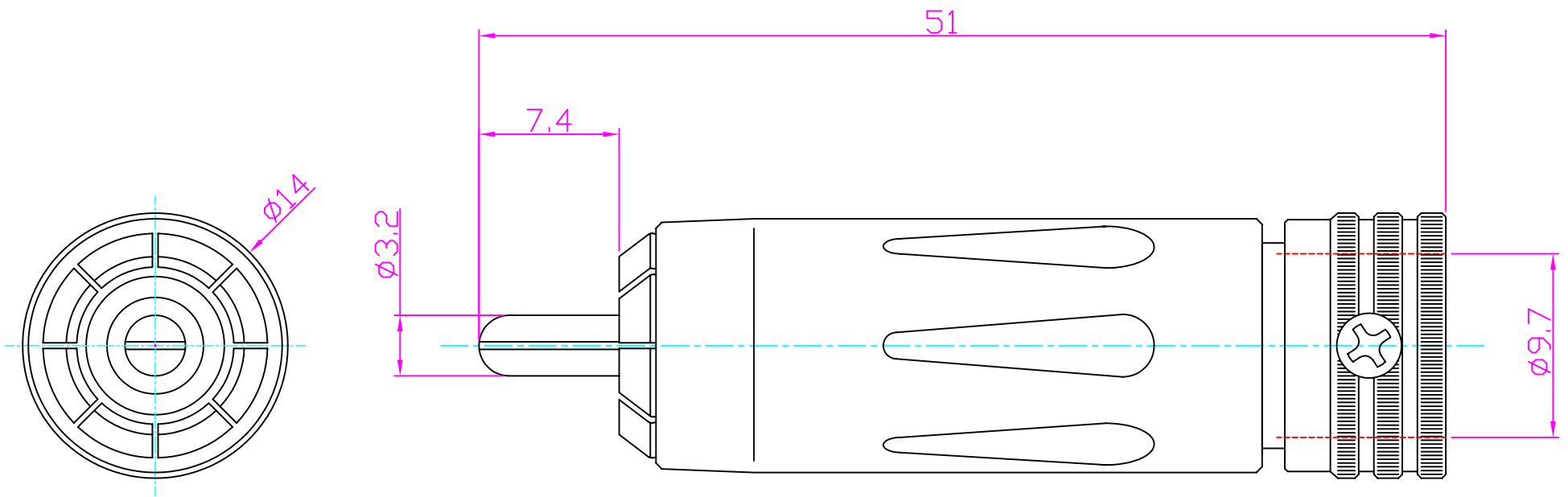


**DRAWING REVISION BLOCK**

REV.	DESCRIPTION	NAME	CHECKED	DATE
	RP-172			08,07,02

MODE NO:	
MATERIAL SIZE	
FINISH	
NOTE:	



*Amtrans*

<b>DRAW</b>		<b>UNIT</b> mm	<b>SCALE</b> 3:1	<b>DATE</b> 08,07,02	<b>DRAW NO.</b> RP-172	<b>TOLERANCE</b>	<b>MATERIAL</b>
<b>CHECK</b>		<b>Amtrans corporation</b>			<b>TITLE</b>	X. ±0.3	<b>REMARKS</b>
<b>REV.</b>						.X ±0.2	
						.XX ±0.1	