



Super Slide™ (Standard Type) RS**1 Series

Metal lever

Part number **RS45112A400G**

Number of resistor elements Dual-unit

Direction of lever Vertical

Travel 45mm

Lever type 4

Length of lever 20mm

Total resistance 10kΩ

Resistance taper 1B

Detent Without

Mounting plate With

Operating temperature range -25°C to +70°C

Electrical performance
Total resistance tolerance ±20%

Maximum operating voltage 200V AC, 10V DC

Rated power 0.125W

Insulation resistance 100MΩ min. 250V DC

Voltage proof 300V AC for 1 minute

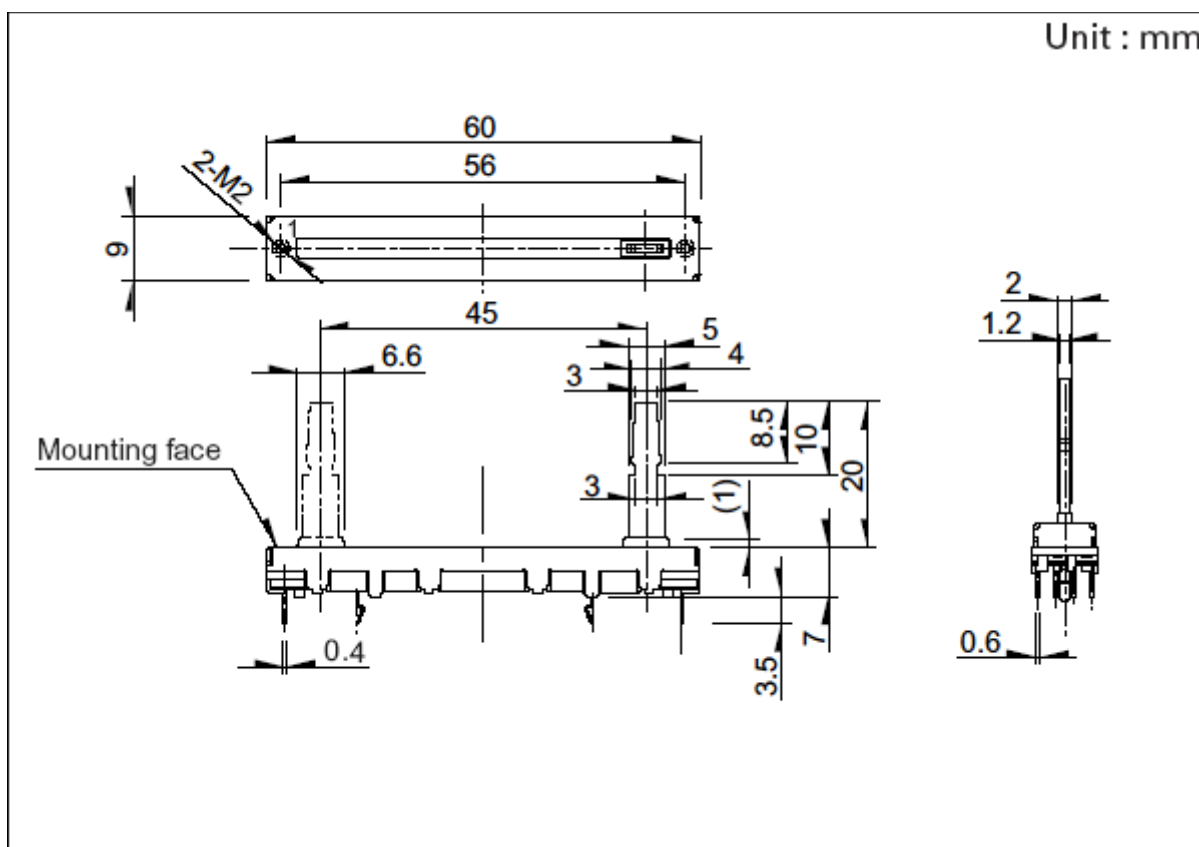
Mechanical performance
Operating force 0.3 to 2.5N

Stopper strength 50N

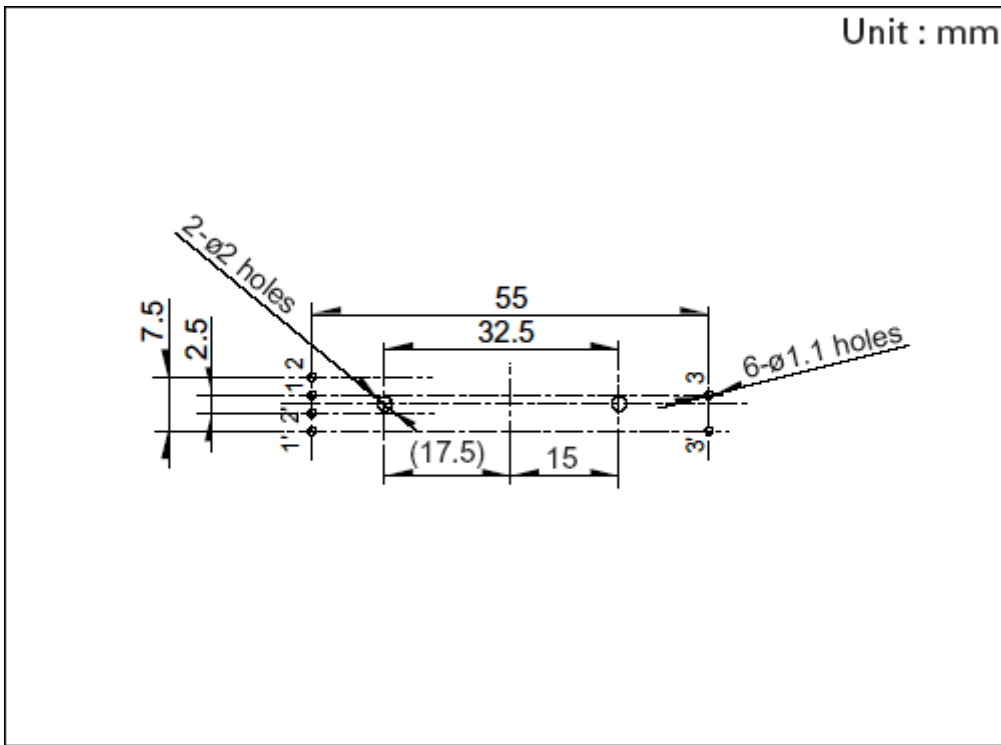
Lever push-pull strength 50N

	Lever wobble (Both side)	4mm
	Lever deviation (One side)	0.5mm max.
Durability	Operating life	15,000 cycles
Minimum order unit (pcs.)	Japan	1,150
	Export	1,150

Dimensions

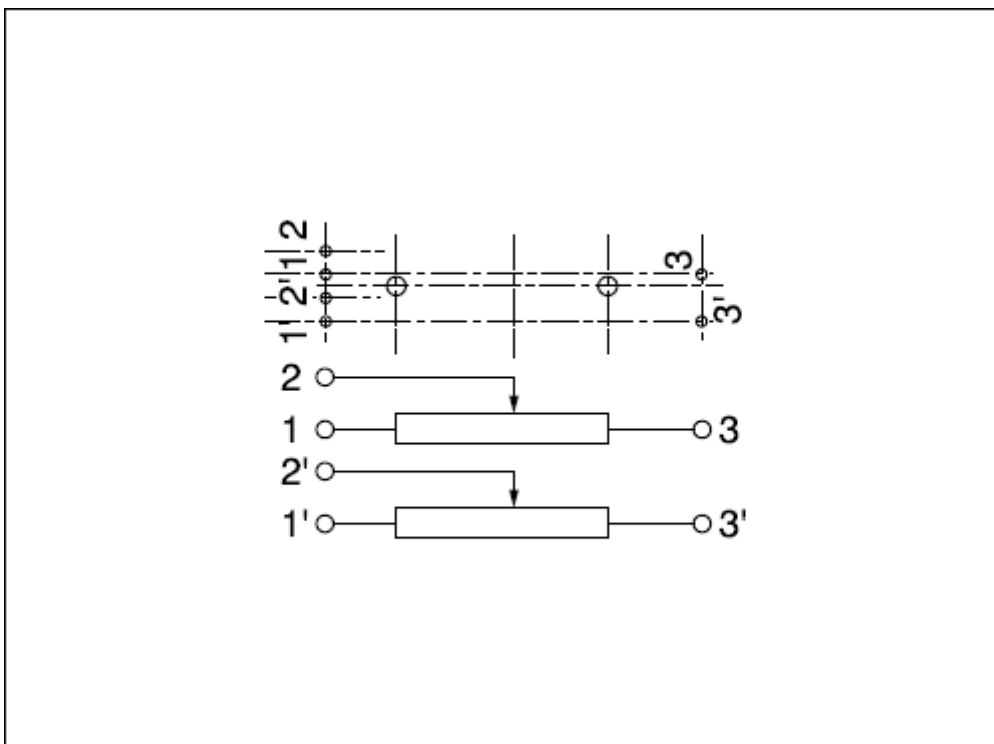


Mounting Hole Dimensions



Viewed from mounting side.

Terminal Layout / Circuit Diagram



Packing Specifications

Tray

Number of packages (pcs.)	1 case / Japan	1,150
	1 case / export packing	1,150

Export package measurements (mm) 373×529×273

Soldering Conditions

Reference for Dip Soldering

Preheating	Soldering surface temperature	100°C max.
------------	-------------------------------	------------

	Heating time	1 min. max.
--	--------------	-------------

Dip soldering	Soldering temperature	260°C max.
---------------	-----------------------	------------

	Soldering time	5s max.
--	----------------	---------

No. of solders		1 time
----------------	--	--------

Reference for Hand Soldering

Tip temperature		350°C max.
-----------------	--	------------

Soldering time		3s max.
----------------	--	---------

No. of solders		1 time
----------------	--	--------

Notes are common to this series/models.

1. This site catalog shows only outline specifications. When using the products, please obtain formal specifications for supply.
2. Please place purchase orders per minimum order unit (integer).
3. Products other than those listed in above products are also available. Please contact us for details.
4. "L" in the "Lever Wobble" column of the above table indicates the length of lever.
5. This products can be used in vehicles.
Although these products are designed to perform over a wide operating temperature range, please ensure that you receive and read the formal delivery specifications before use.