

# RSEV SERIES

Compact Single-Phase EMC Filter That Offers Improved Wiring Workability

EMC  
フィルタ



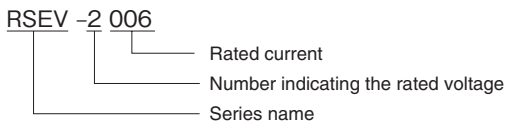
## FEATURES

- Easy to install, all screws are self-up structure
- Terminal block screw and product cover are unified
- The attachment for DIN rail is available (optional accessory)  
Part number: DIN-RSEV

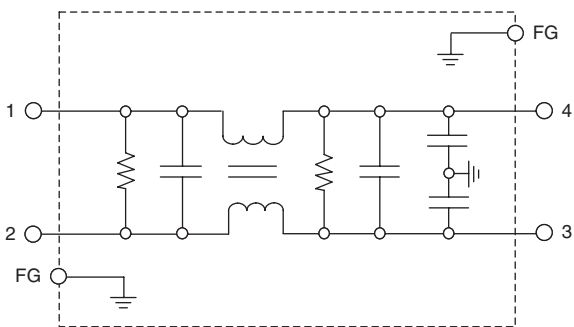
## SAFETY STANDARDS

- |                     |                           |
|---------------------|---------------------------|
| UL1283              | UL File No. E62388        |
| CSA C22.2 No.8(cUL) | File No. E62388           |
| EN60939-3           | Licence No. ENEC-01674-M1 |

## PRODUCT IDENTIFICATION



## CIRCUIT DIAGRAM



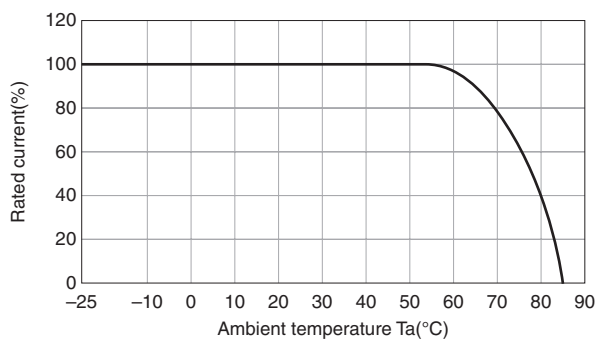
•Conformity to RoHS Directive: This means that, in conformity with EU Directive 2011/65/EU, lead, cadmium, mercury, hexavalent chromium, and specific bromine-based flame retardants, PBB and PBDE, have not been used, except for exempted applications.

**ELECTRICAL CHARACTERISTICS**

Part No.	Rated voltage (AC/DC)	Rated current (AC/DC)	Withstand voltage	Insulation resistance	Leakage current	Operating temperature range	With derating over	DC resistance (mΩ)	Attenuation frequency range (MHz)		Weight (g)
									Common mode	Differential mode	
									at 25dB	at 25dB	
RSEV-2006	250V	6A	AC.2500V 60s [line - earth]	100MΩ min. [DC500V/ 1min]	1mA max. [250V/60Hz]	-25 to +85°C	+55°C	110 max.	0.1 to 30	0.2 to 30	150
RSEV-2010		10A						40 max.	0.2 to 30	0.2 to 30	150
RSEV-2016		16A						20 max.	0.6 to 30	0.3 to 30	150
RSEV-2020		20A						10 max.	0.8 to 30	0.4 to 30	150
RSEV-2030		30A						6 max.	2 to 30	0.5 to 30	150

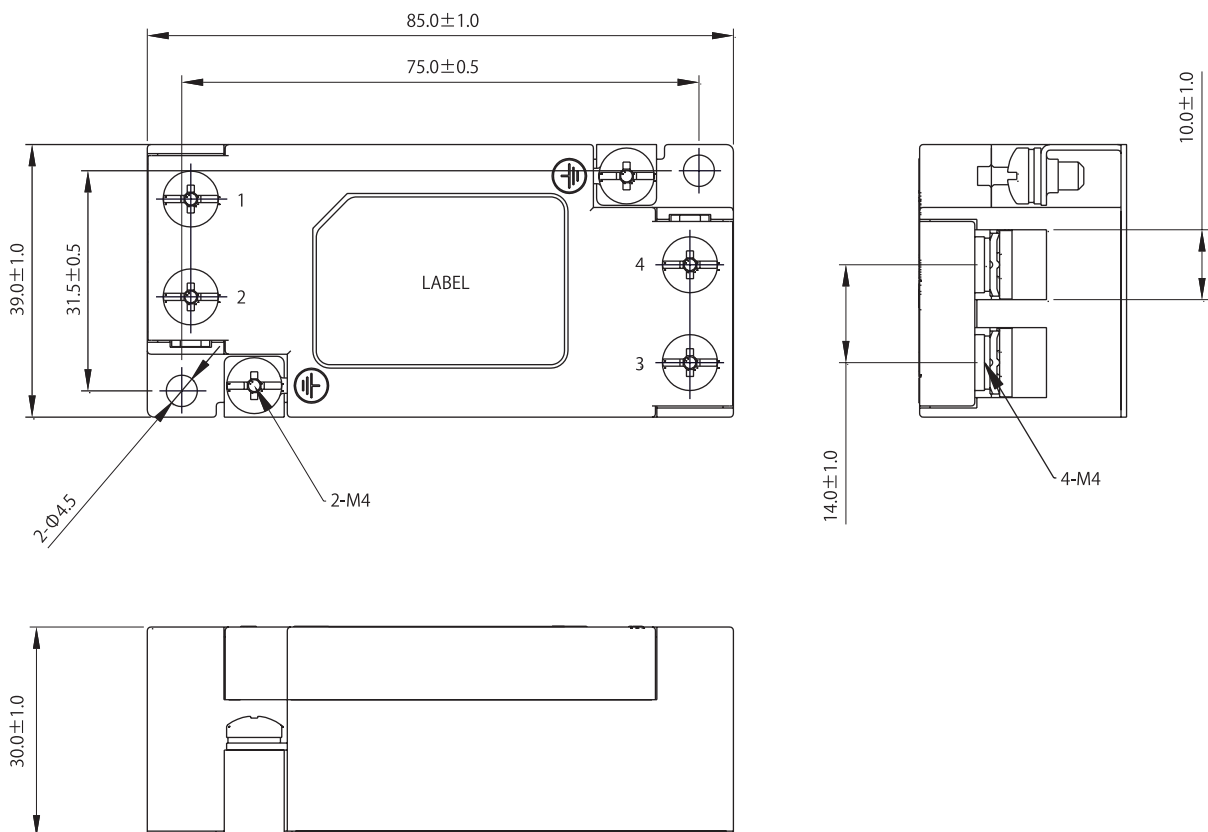
E M C  
フィルタ

**DERATINGS**



RSEV

**SHAPES AND DIMENSIONS**

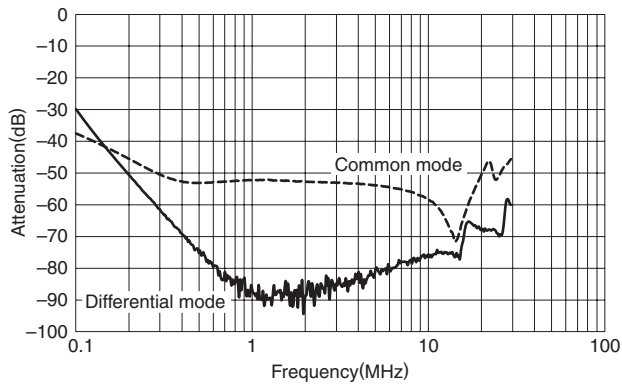


Dimensions in mm

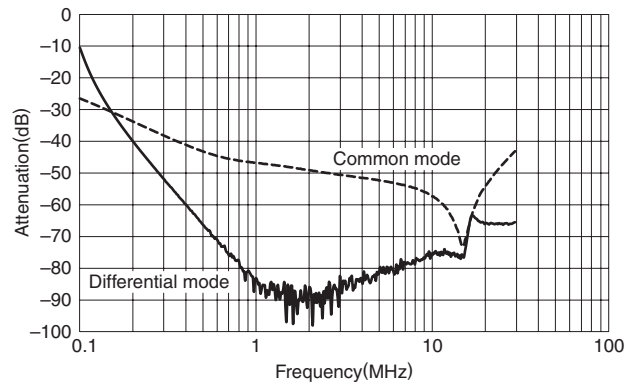
• All specifications are subject to change without notice.

### ATTENUATION vs. FREQUENCY CHARACTERISTICS

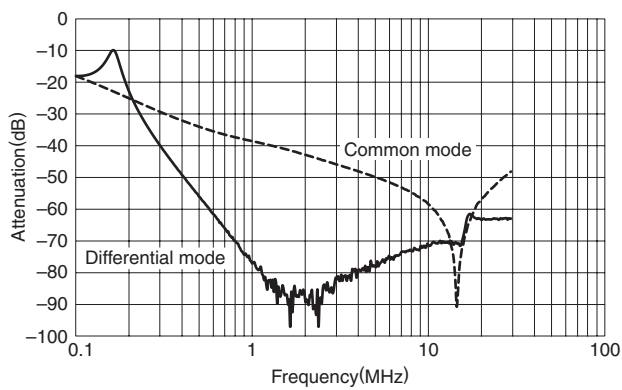
RSEV-2006



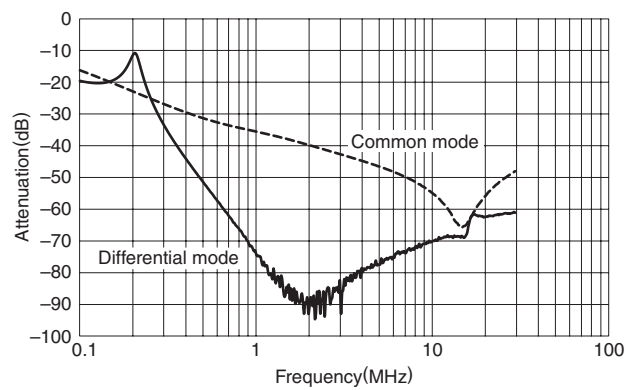
RSEV-2010



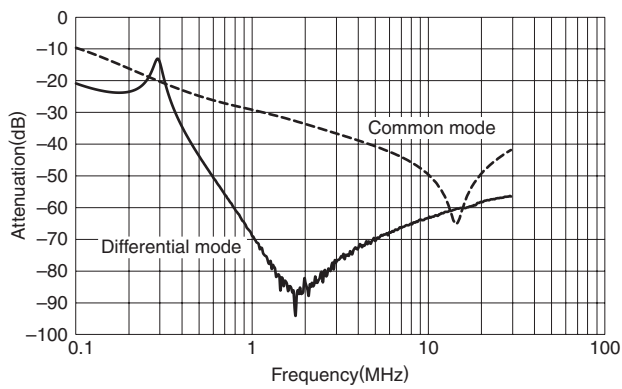
RSEV-2016



RSEV-2020



RSEV-2030



フィルタ  
CME

RSEV