

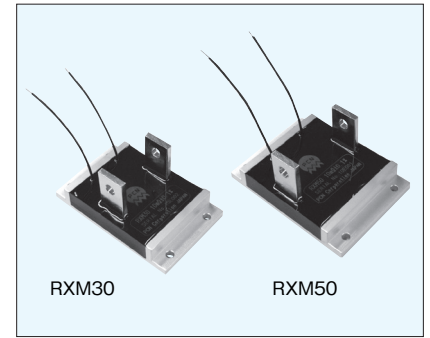
**LOW-COST POWER SHUNT RESISTORS**

**RXM**

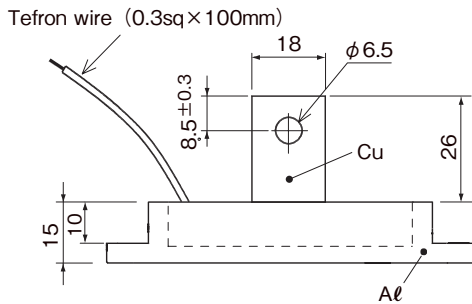
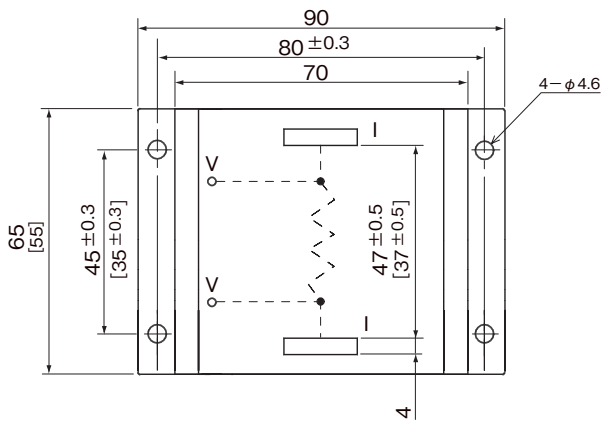
Max. Current (Permanent) : 220A (RXM50 1mΩ)

Type	Wattage Rating (W)		Standard Resistance (Ω)	Tolerance (%)	Temp. Coefficient (25°C~100°C)	Thermal EMF (0~100°C)
	Chassis Mounted	Free air				
RXM30	30	15	1m, 2m, 5m 10m, 20m	±0.05 (A) ±0.1 (B) ±0.5 (D) ±1 (F)	±30ppm/°C	2 μV/°C MAX
RXM50	50	20	50m, 100m			

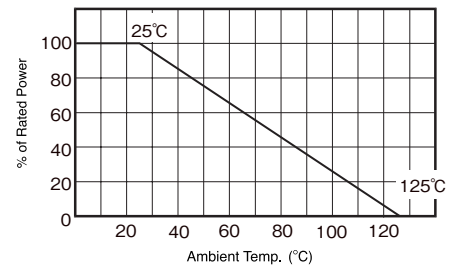
Operating Temp. -50°C~+125°C  
 Weight : RXM30 185g  
 RXM50 215g



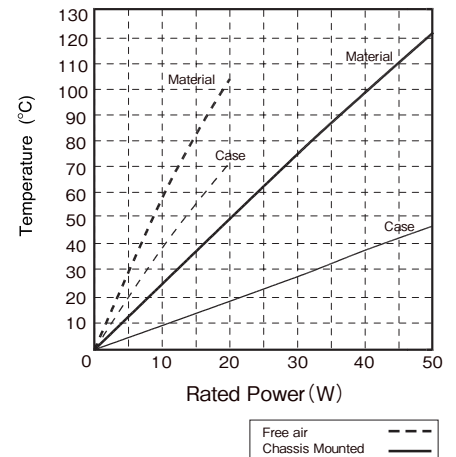
Dimensions [mm]: RXM30



**Power Derating Curve**



**Surface Temp. Versus Power Load. (RXM50 1mΩ)**



Test Chassis Dimensions(mm) 305×305×3t AL  
 (Thermal Resistance : About 1°C/W)

Chassis Mounted AWG4 Cable 2 × 2  
 Free Air AWG4 Cable 1 × 2

**Performance**

Parameters	Test Condition	Specification
Dielectric Strength	AC1000V 1min.	±0.02%
Insulation Resistance	DC500V	1000MΩMIN
Short Time Over Load	2× Wattage Rating 5sec	±0.05%
High Temperature Exposure	Temp. +85°C 1000Hr (Moisture 85%)	±0.05%
Load Life	Load Rating 1.5Hr ON 0.5Hr OFF Repeat 2000Hr	±0.2%



This RXM series is designed for chassis mounting style and note the followings.

- (1) In order to mount the resistor tightly to chassis, mounting surface should be completely smooth.
- (2) On the mounting surface, paint flatly the well temperature-conductive material like the radiant heat grease.

**Standard Resistance (Stock)**

- RXM50 1mΩA (±0.05%)
- RXM50 5mΩA (±0.05%)
- RXM50 10mΩA (±0.05%)

**How to order**

RXM50     1mΩ     A  
 Type                     Resistance                     Tolerance



**PCN Corporation**

**Sagamihara Business Office**

4-3-17 Sagamihara, Chuo-ku, Sagamihara-shi, Kanagawa-Pref., JAPAN 252-0231  
 Phone : 81-42-776-0931 Fax : 81-42-776-0940 E-mail : sales@pcn.co.jp