

4

3

2

1

THIS DRAWING IS UNPUBLISHED.

RELEASED FOR PUBLICATION

2008

© COPYRIGHT 2008

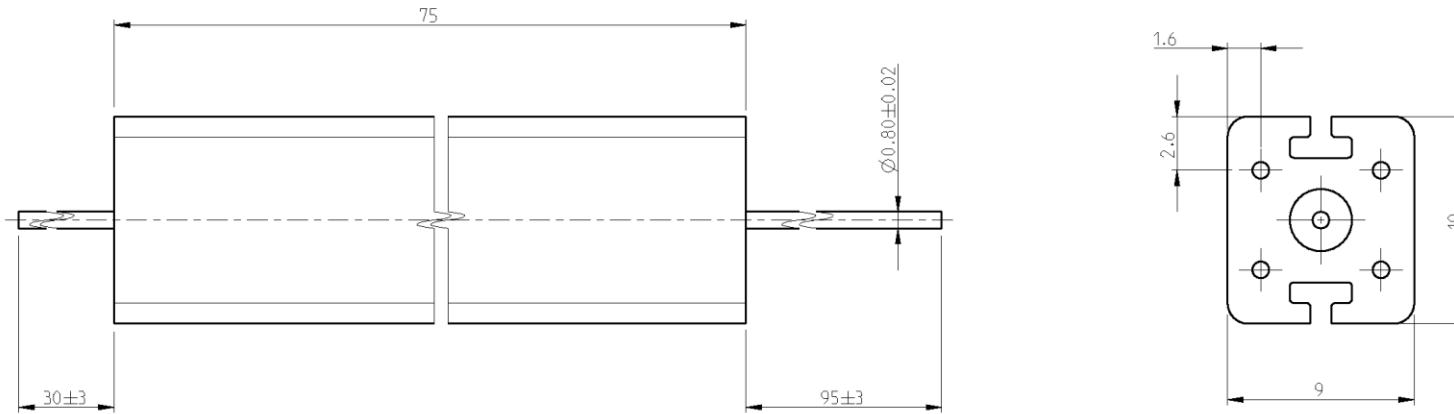
BY TYCO ELECTRONICS CORPORATION. ALL RIGHTS RESERVED.

| | |
|-----|------|
| LOC | DIST |
| E | B |

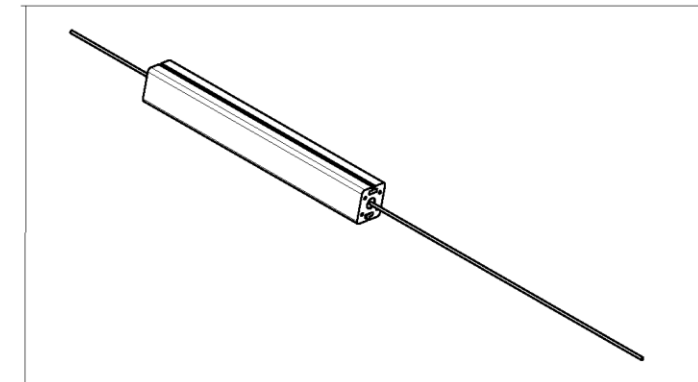
REVISIONS

| P | LTR | DESCRIPTION | DATE | DWN | APVD |
|---|-----|-------------|-----------|-----|------|
| | BA | NEW RELEASE | 02AUG2010 | PT | St.P |

FOR FURTHER INFORMATION SEE DATA SHEET FOR SERIES TYPE SBC(SQUARE CERAMIC), HIGH POWER RESISTORS



RoHS Compliant



| | | | | | |
|---|--|--|--|---|--|
| <small>THIS DRAWING IS A CONTROLLED DOCUMENT FOR TYCO ELECTRONICS CORPORATION. IT IS SUBJECT TO CHANGE, AND THE CONTROLLING ENGINEERING ORGANIZATION SHOULD BE CONTACTED FOR THE LATEST REVISION.</small> | | DWN PARUSURAM.T 02AUG2010 CHK STEPHEN.P 02AUG2010 APVD STEPHEN.P 02AUG2010 | | Tyco Electronics Corporation Dorcan, Swindon, SN3 5HH | |
| DIMENSIONS: mm | | TOLERANCES UNLESS OTHERWISE SPECIFIED: 0 PLC ±0.2 1 PLC ±0.1 2 PLC ± 3 PLC ± 4 PLC ± ANGLES ±45° | | NAME HIGH POWER RESISTOR TYPE SBC (SQUARE CERAMIC) SERIES SBCHE15 | |
| MATERIAL - | | FINISH - | | PRODUCT SPEC - APPLICATION SPEC - WEIGHT 15g | |
| | | SIZE A3 | | CAGE CODE 00779 DRAWING NO ©=1623729 | |
| CUSTOMER DRAWING | | | | RESTRICTED TO - | |
| | | | | SCALE 4:1 SHEET 1 OF 1 REV BA | |