

SFW-R Series

1.00MM ZIF RIGHT ANGLE FFC-FPC CONNECTOR

ZIF FFC-FPC Connector series with top and bottom contact type. These surface mount connectors feature a height of 2.70mm and are offered in 4 to 30 contacts.

SFW series connectors have a proven track record in automotive, data, industrial, telecommunications, consumer, and medical application equipment.

- Easy to operate and strong FFC/FPC retention makes it vibration-proof
- Ensures high solderability and high durability
- Operating temperature range of -55°C to +105°C



TARGET MARKETS



FEATURES

- ZIF (Zero Insertion Force) mechanism
- Easy cable operation
- Optional cable lock function for extra cable retention
- Design against solder and flux wicking
- High-temperature, dimensional stable thermoplastic housing
- 4 to 30 positions available
- Lead and halogen-free

BENEFITS

- Stress free mating provides high number of mating cycles
- Simple action and strong FFC/FPC retention ensures contact stability
- Prevents unintentional cable release
- Ensures high solderability
- Covers general operating temperature range of -55°C to +105°C
- Supports many applications as a general-purpose product
- Meet environmental, healthy and safety requirement

TECHNICAL INFORMATION

MATERIAL

- Housing: LCP, natural color (UL94V-0)
- Contact: Phosphor bronze
- Tab: Brass

MECHANICAL PERFORMANCE

- FFC/FPC Retention Force: 0.68N/contact min. (Tin)
- Durability: 20 mating cycles

ELECTRICAL PERFORMANCE

- Voltage Rating: 100V A.C./D.C.
- Current Rating: 1.0A A.C./D.C.
- Contact Resistance: 30mΩ max.(initial value)
- Insulation Resistance: 500MΩ min.
- Dielectric Withstanding Voltage: No short or breakdown after 500V A.C., 1mA, 1min.

ENVIRONMENTAL

- Operating Temperature Range: -55°C to +105°C

APPROVALS & CERTIFICATION

- UL file number E66906
- RoHS compliant

PACKAGING

- Tape & Reel

SPECIFICATIONS

- Orientation: Right angle
- Cable Termination: ZIF
- Cable Type: FFC/ FPC/ CIC
- Board Termination: Surface mount
- Contact Location: Top & bottom option
- Height: 2.7mm
- Lead free tin plating

TARGET MARKETS/APPLICATIONS



Car Multimedia
Car Navigation
Dashboard
Lighting



Gaming
LCD & OLED Displays



Base Station
Switches
Controllers
Storage

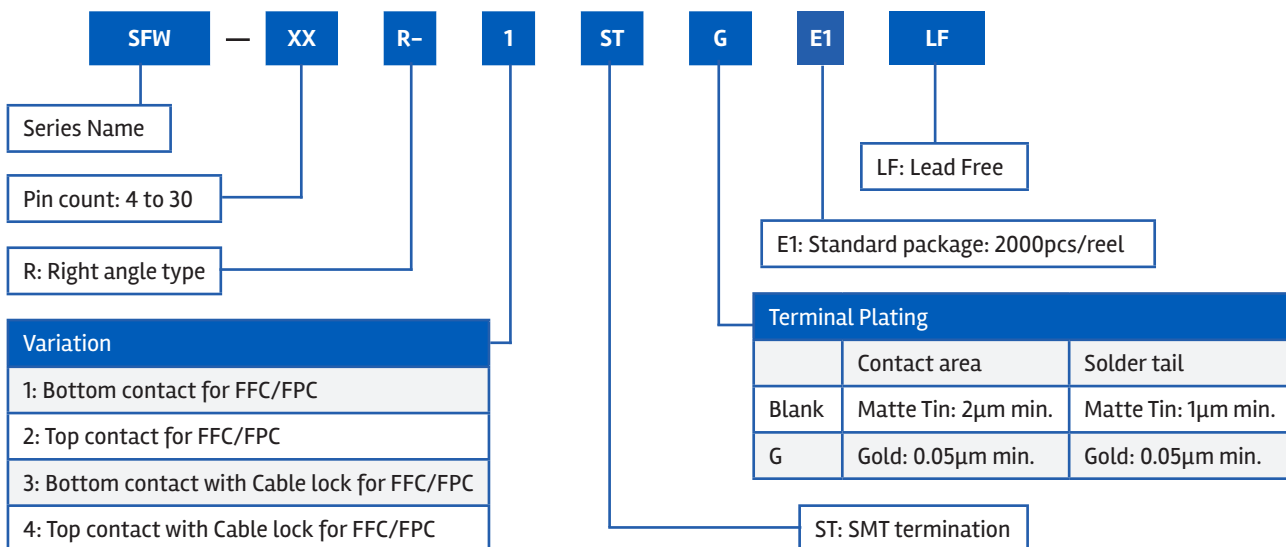


Controllers
HMI
Vending Machines
PLC
Drives



Ultrasonic
Patient Monitor
MRI
CT
Infusion Pump
Hospital Bed

PART NUMBER SELECTOR



BASICSFWR042EA4