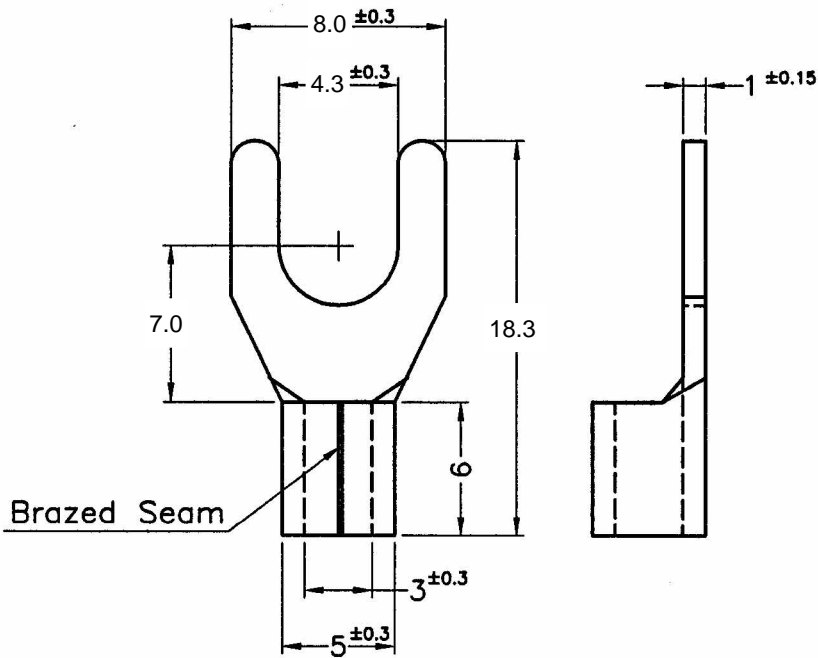
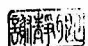
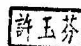


REVISIONS			
REV	DESCRIPTION	DATE	BY



MAXIMUM ELECTRIC CURRENT: 37 AMPERE (14-12 A.W.G)

PART NUMBER SEE ABOVE				DRAWING NUMBER SNB3-H		TITLE Y型裸端子		產品規格圖面			
				MATERIAL COPPER		FINISH TIN PLATING		DATE 1999.05.31		DRAWN 林秀儉	
				COLOR 		UNLESS OTHERWISE SPECIFIED TOLERANCE ± 1.0		CHECK 		APPROVED 	
				SIZE A4	SCALE NONE	UNIT mm	REV A				