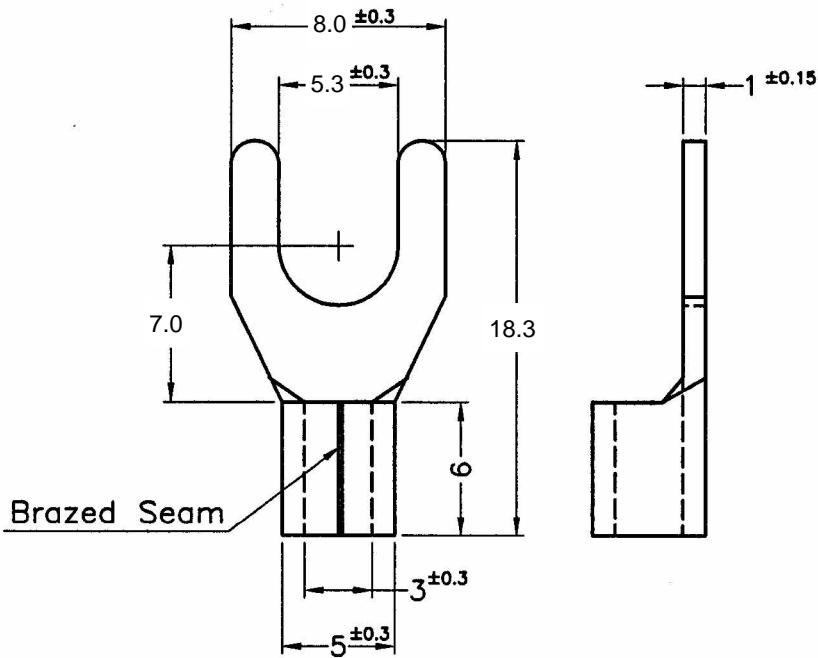


REVISIONS			
REV	DESCRIPTION	DATE	BY



MAXIMUM ELECTRIC CURRENT: 37 AMPERE (14-12 A.W.G)

PART NUMBER SEE ABOVE		DRAWING NUMBER SNB3-H		TITLE	Y型裸端子	產品規格圖面					
				MATERIAL	COPPER	DATE	1999.05.31				
				FINISH	TIN PLATING	DRAWN	林秀儉				
				COLOR		CHECK					
SIZE	A4	SCALE	NONE	UNIT	mm	REV	A	UNLESS OTHERWISE SPECIFIED TOLERANCE	± 1.0	APPROVED	