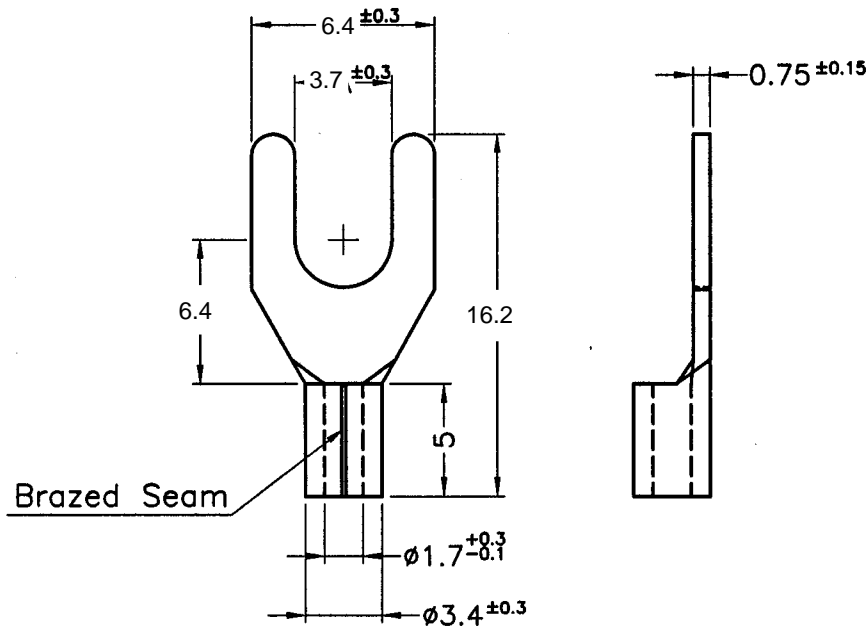


REVISIONS			
REV	DESCRIPTION	DATE	BY



MAXIMUM ELECTRIC CURRENT: 19 AMPERE (22-16 A.W.G)

PART NUMBER <b>SEE ABOVE</b>				TITLE <b>Y型裸端子</b>		<b>產品規格圖面</b>	
				MATERIAL <b>COPPER</b>		DATE <b>1999.01.13</b>	
				FINISH <b>TIN PLATING</b>		DRAWN <b>劉雅文</b>	
				COLOR 		CHECK 	
DRAWING NUMBER <b>SNB1-H</b>		UNLESS OTHERWISE SPECIFIED TOLERANCE <b>±1.0</b>				APPROVED 	
SIZE <b>A4</b>	SCALE <b>NONE</b>	UNIT <b>mm</b>	REV <b>A</b>				