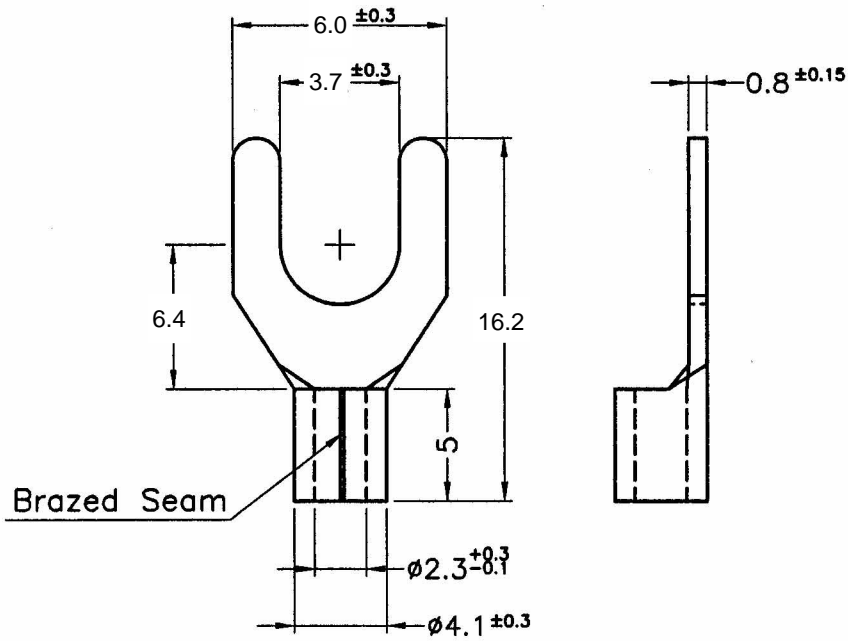


REVISIONS			
REV	DESCRIPTION	DATE	BY



MAXIMUM ELECTRIC CURRENT: 27 AMPERE (16-14 A.W.G)

PART NUMBER SEE ABOVE				TITLE Y型裸端子		產品規格圖面	
				MATERIAL COPPER		DATE 1998.12.21	
				FINISH TIN PLATING		DRAWN JASON	
				COLOR 		CHECK 	
DRAWING NUMBER SNB2-H		UNLESS OTHERWISE SPECIFIED TOLERANCE ±1.0		APPROVED 		SIZE A4	
SCALE NONE		UNIT mm		REV A			