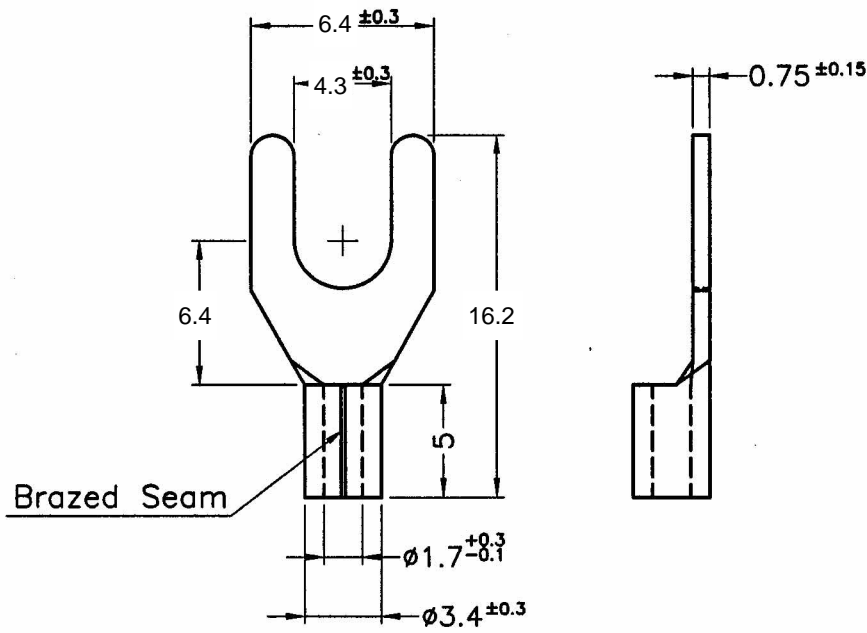


REVISIONS			
REV	DESCRIPTION	DATE	BY



MAXIMUM ELECTRIC CURRENT: 19 AMPERE (22-16 A.W.G)

PART NUMBER SEE ABOVE				TITLE Y型裸端子		產品規格圖面	
				MATERIAL COPPER		DATE 1999.01.13	
				FINISH TIN PLATING		DRAWN 劉雅文	
				COLOR 		CHECK 	
DRAWING NUMBER SNB1-H		UNLESS OTHERWISE SPECIFIED TOLERANCE ±1.0		APPROVED 			
SIZE A4	SCALE NONE	UNIT mm	REV A				