

Product Update Memo

INDUCTIVE COMPONENTS



March, 2015

Data Sheet Correction to Solder Terminal Dimension for SRP1265(A) Shielded Power Inductor Series

Recently, an error has been discovered in the solder terminal dimension of the [Model SRP1265\(A\)](#) data sheet drawings. The erroneous dimension (*Figure 1*) has been corrected (*Figure 2*).

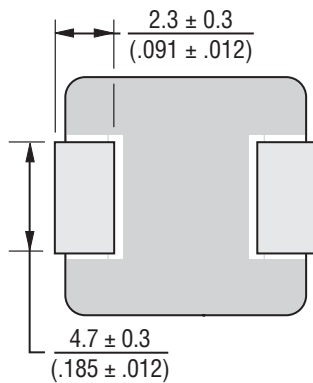


Figure 1

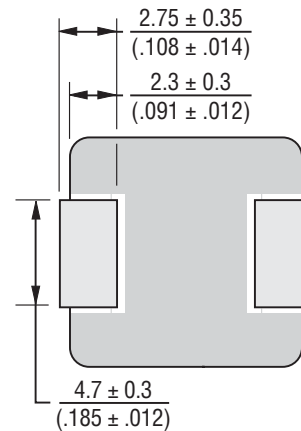


Figure 2

The solder terminals of these two series have been manufactured to the *Figure 2* dimension since the inception of these inductors. This data sheet correction for Model SRP1265(A) has no impact to the form, fit, function and quality of the components.

Should you have any further questions or need additional information, please feel free to contact [Customer Service/Inside Sales](#).