

SPECIFICATIONS

规格承认书

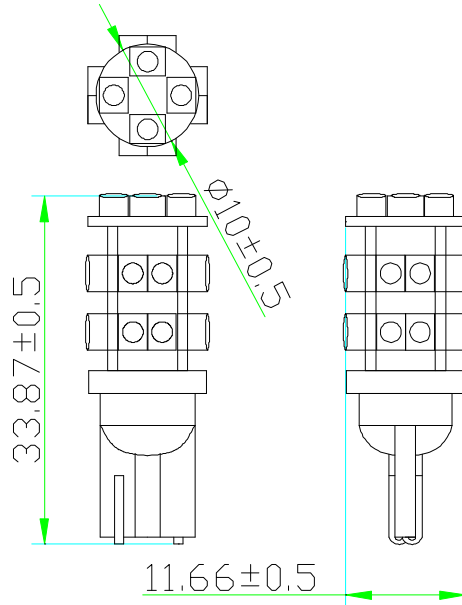
DESCRIPTION (产品描述):

PART NO (品名/型号): **T10-WG-020R3528**

(A) Electronics And Optical Characteristics: Ta=25°C (光电指数 在室温 25°C):

| Emitting Color (发光颜色) | Forward Voltage Unit: V (顺向电压) | Totality Luminous Intensity Unit:LM (整体发光强度) | Single LED Intensity Unit: MCD (单颗 SMD 的亮度) | Dominant Wavelength Unit: nm (波长) | Viewing Angle Unit: deg (发光角度) | Color Temperature Unit: K (色温) |
|--------------------------------------|--------------------------------------|--|---|---|--------------------------------------|--------------------------------------|
| RED | 12 | 15 | 200-300 | 625-630 | 360 | |
| Test Condition (测试条件) | Test Voltage (测试电压): 12VDC | | Current (电流): 110mA | | Power (功率): 1.32W | |
| IR max (反向电流): 0.01mA; VR (反向电压) =5V | | | | | | |

Package Dimensions(产品外观尺寸):



Unit (单位): MM

(B) Absolute Maximum Ratings AT Ta=25°C (标准最大值评定结果 在室温 25°C)

| PARAMETER (参数) | MAX (最大值) | UNIT (单位) |
|---|----------------|-----------|
| Continuous Forward Current (持续顺向电流) | 30 | mA |
| Peak Forward Current (1/10 Duty Cycle 0.1ms Pulse Width) 脉冲电流 (工作循环 1/10 脉冲宽度 0.1ms) | 150 | mA |
| Reverse Voltage (反向电压) | 5 | V |
| Operating Temperature Range (工作温度) | -40°C to +85°C | |
| Storage Temperature Range (存储温度) | -40°C to +85°C | |
| Lead Solder Temperature Below Package 260°C For 5 seconds (管脚焊接温度在 5 秒内 260°C 以下焊接) | | |

承认规格书

SPECIFICATION FOR APPROVAL

CUSTOMER (客户): _____
DESCRIPTION (品名): **T10-WG-020R3528**
DIMENSIONS (规格): 12VDC
LENSCOLOR (发光颜色): RED
NO. (编号): _____

| Approval 确认 | Check 审核 | Design 制作 | Confirmed by 客户确认 | |
|----------------|-------------|--------------|----------------------|--|
| 潘江 | 郑华坤 | 田勇 | | |