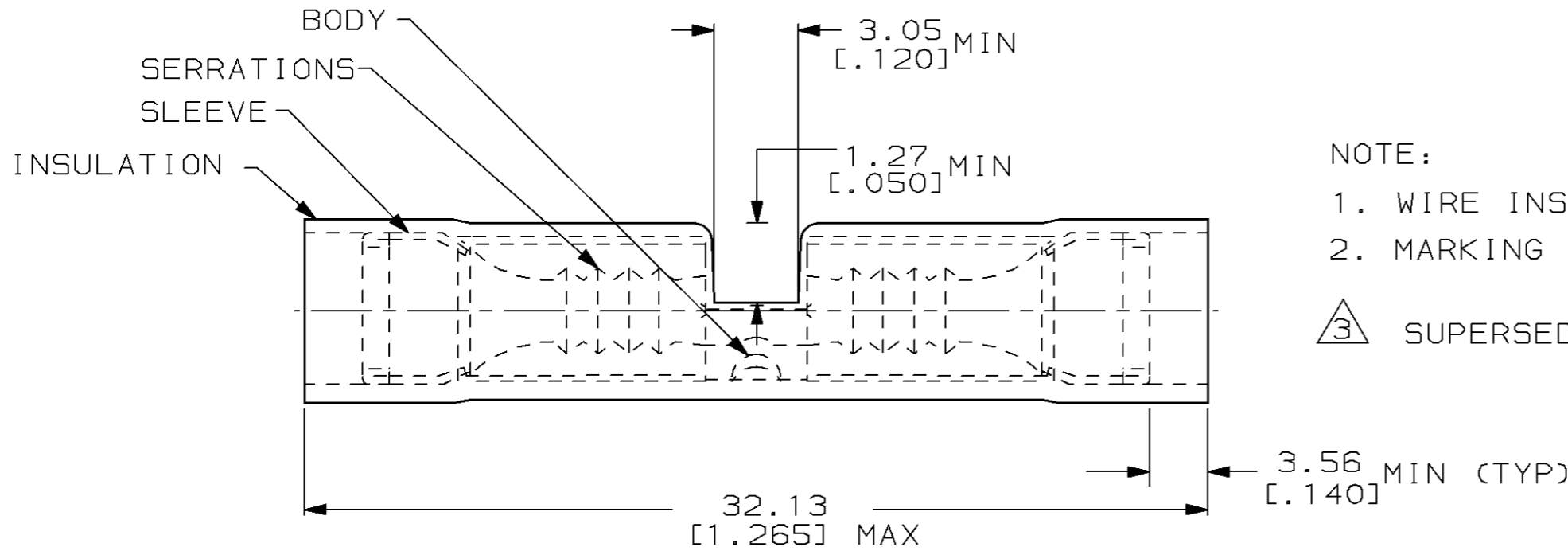


THIS DRAWING IS UNPUBLISHED. RELEASED FOR PUBLICATION, 19 .  
 © COPYRIGHT 19 BY AMP INCORPORATED. ALL INTERNATIONAL RIGHTS RESERVED.

LOC	DIST	P	F	REVISIONS				
G	14			ZONE	LTR	DESCRIPTION	DATE	APPD
					U	PR98-0610-3223-002 & 0610-0009-99	22JAN99	WE SB

<b>AMP</b> WIRE RANGE	<b>UL</b> Listed FILE E13288	<b>SR</b> LR7189 Certified
22-16 AWG SOLID OR STRANDED	22-16 AWG SOLID OR STRANDED	22-16 AWG SOLID OR STRANDED



NOTE:  
 1. WIRE INSULATION DIA 2.03 [.080] TO 3.18 [.125]  
 2. MARKING 22-18 FOR MILITARY COMMERCIAL RANGE 22-16  
 3 SUPERSEDED BY 8-320559-2

-	4000	LOOSE PIECE, CTN	8-320559-6
-	100	LOOSE PIECE, BOX SPL	8-320559-5
-	5	LOOSE PIECE, BLS	8-320559-4 3
-	50	LOOSE PIECE, BOX	8-320559-2
M7928/5-3 CLASS 2	2500	ON TAPE	2-320559-4
M7928/5-3 CLASS 1 & 2	50	LOOSE PIECE	320559
MILITARY PART NUMBER & CLASS PER MIL-T-7928	QTY	PACKAGE TYPE	PART NO

**AMP INCORPORATED**  
**CUSTOMER SERVICE SYSTEMS**

FOR ADDITIONAL PRODUCT INFORMATION OR COPIES OF DRAWINGS AND TECHNICAL DOCUMENTS	PRODUCT INFORMATION CENTER 1-800-522-6752
FOR APPLICATION TOOLING INFORMATION	TOOLING ASSISTANCE CENTER 1-800-722-1111
FOR ORDER ENTRY	1-800-526-5142

MAX RECOMMENDED OPERATING TEMPERATURE:  
 105°C

VOLTAGE RATING:  
 600 V MAX  
 1000V MAX (FIXTURE OR SIGN)

CIRCULAR MIL AREA:  
 0.26-1.65 mm<sup>2</sup> [509-3, 260]  
 SOLID OR STRANDED

DO NOT SCALE PRINT, UNLESS SPECIFIED  
 DIMENSIONS IN mm [INCHES]  
 TOLERANCES ON:  
 2 PLC DEC ± 0.20 [.008]  
 3 PLC DEC ± -  
 ANGLES ± -

MATERIAL  
 COPPER PER ASTM B-152  
 NYLON, COLOR, RED

FINISH  
 TIN PLATE PER ASTM B-545

**AMP** AMP Incorporated  
 Harrisburg, PA 17105-3608

NAME  
 SPLICE, BUTT, PIDG™,  
 WIRE SIZE: 22-16 AWG

SIZE	CAGE CODE	DRAWING NO
B	00779	C-320559
SCALE	NTS	SHEET
		1 OF 1