

microSD 600x card series

Description

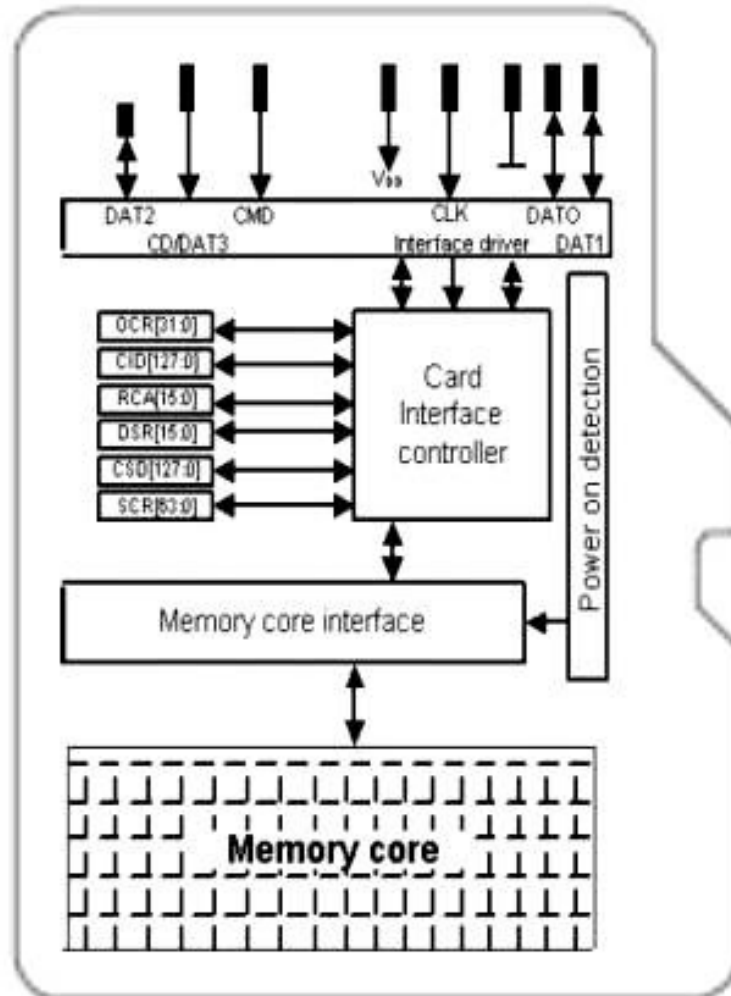
Designed to enhance your smartphone and tablet user experience, Transcend microSDHC UHS-I memory cards feature the Ultra High Speed Class 1 specification. Utilizing this next-generation technology, these cards ensure the best possible performance when running memory-intensive mobile apps and games, as well as smooth Full HD video recording and seamless playback. Additionally, the top-tier MLC NAND flash chips inside provide consistent long-life durability and endurance.

Features

- MLC flash-based performance and reliability
- Supports Ultra High Speed Class 1 specification (U1)
- Perfect fit for action cameras to capture every single move
- Ideal upgrade for smartphones, tablets, and digital cameras
- Improved camera response for fast-action consecutive shooting
- Built-in Error Correcting Code (ECC) to detect and correct transfer errors
- Exclusive RecoveRx photo recovery software

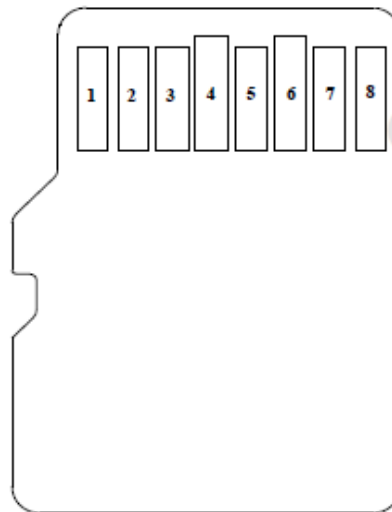


Architecture



Pin Definition

Pin No.	SD Mode		SPI Mode	
	Name	Description	Name	Description
1	DAT2	Data Line [Bit2]	RSV	Reserved
2	CD/DAT3	Card Detect / Data Line [Bit3]	CS	Chip Select
3	CMD	Command / Response	DI	Data In
4	V _{DD}	Supply voltage	V _{DD}	Supply voltage
5	CLK	Clock	SCLK	Clock
6	V _{SS}	Supply voltage ground	V _{SS}	Supply voltage ground
7	DAT0	Data Line [Bit0]	DO	Data out
8	DAT1	Data Line [Bit1]	RSV	Reserved



Specifications

Physical Specification		
Form Factor		microSD
Dimensions (mm)	Length	11.00 ± 0.1
	Width	15.00 ± 0.1
	Height	0.7 ± 0.1

Performance	
Model P/N	Read Performance
TS8GUSDHC10U1	Up to 90MB/S
TS16GUSDHC10U1	
TS32GUSDHC10U1	

Note: Maximum read transfer speed recorded

* 25 °C , 4GB DRAM, Windows[®] 7 with Transcend RDF5, benchmark utility Crystal DiskMark (version 3.0), copied file 1000MB, unit MB/s

Environmental Specifications	
Operating Temperature	- 25 °C to 85 °C
Storage Temperature	- 40 °C to 85 °C
Durability	10.000 mating cycles;
Drop test	1.5m free fall
Regulator	CE/FCC/BSMI

The above technical information is based on industry standard data and has been tested to be reliable. However, Transcend makes no warranty, either expressed or implied, as to its accuracy and assumes no liability in connection with the use of this product. Transcend reserves the right to make changes to the specifications at any time without prior notice.

Order information

Capacity	Transcend Part Number
8GB	TS8GUSDHC10U1
16GB	TS16GUSDHC10U1
32GB	TS32GUSDHC10U1

**TAIWAN**E-mail: sales-tw@transcend-info.com**USA****Los Angeles:**E-mail: sales-us@transcend-info.com**Maryland:**E-mail: sales-us@transcend-info.com**Miami:**E-mail: sales-us@transcend-info.com**Silicon Valley:**E-mail: sales-us@transcend-info.com**GERMANY**E-mail: sales-de@transcend-info.com**THE NETHERLANDS**E-mail: sales-nl@transcend-info.com**United Kingdom**E-mail: sales-uk@transcend-info.com**JAPAN**E-mail: sales-jp@transcend-info.com**KOREA**E-mail: sales-kr@transcend-info.com**CHINA**E-mail: sales@transcendchina.com**HONG KONG**E-mail: sales-hk@transcend-info.com

Revision History

Version	Date	Note
1.0	2016/05/06	The 1 st edition