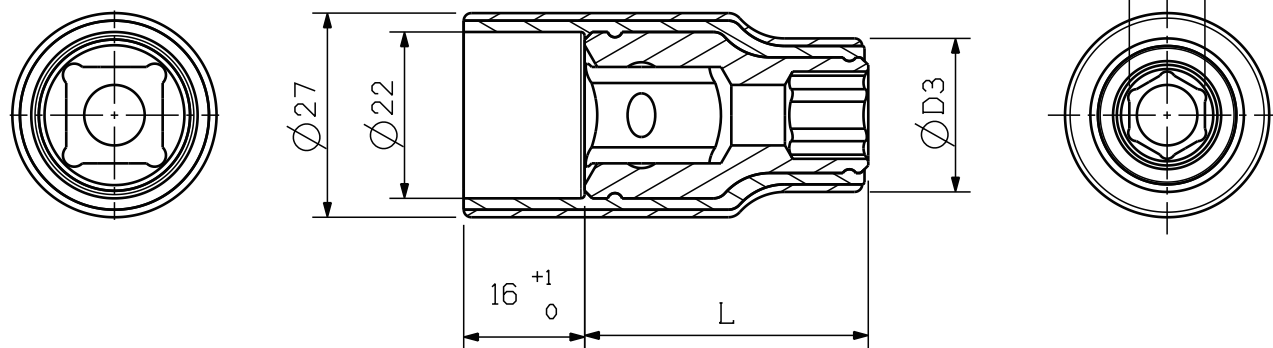
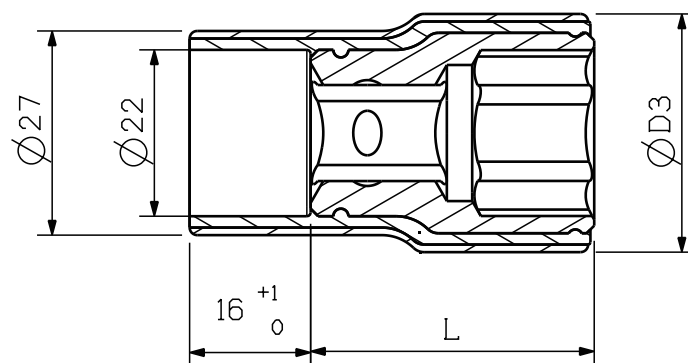


(R type)



(U, U1 type)



型	品番	MM	D3	L
R	TZ410S	10	20.3	38
	TZ411S	11	21.5	
	TZ412S	12	23	
	TZ413S	13	24	
	TZ414S	14	25.3	
	TZ415S	15	26.5	
U	TZ416S	16	28	40
	TZ417S	17	29	
	TZ418S	18	30.3	
	TZ419S	19	31.5	
	TZ420S	20	33	
	TZ421S	21	34	
U1	TZ422S	22	35	45
	TZ422S	23	36	
	TZ422S	24	37.8	
	TZ422S	25	39	
	TZ422S	27	41	
U1	TZ422S	29	44	45
	TZ422S	30	45	
	TZ422S	32	47	

単位 : mm

作成日 2015.11.26

検図 商品部

TRUSCO トラスコ中山株式会社

品名 絶縁ソケット(6角)差込角12.7mm

品番 TZ410S~432S