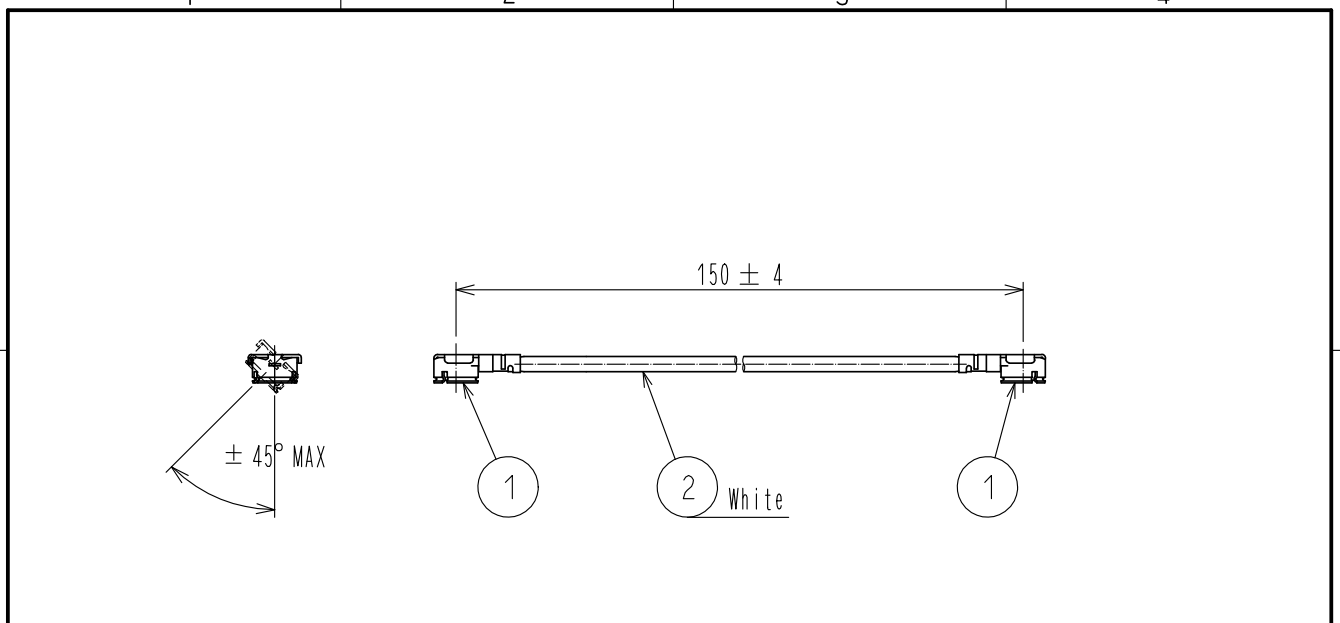
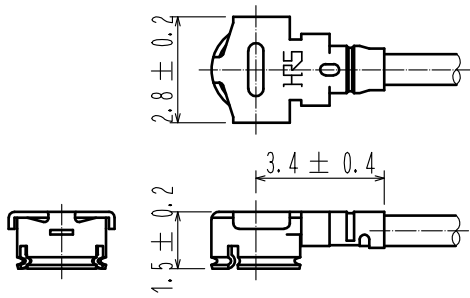


Applicable standard					
Rating	Operating temperature range	-40 °C to +90 °C(90 %RH Max.)	Storage temperature range	-40 °C to +90 °C(90 %RH Max.)	
	Power	-- W	Characteristic impedance	50 Ω(0 to 6 GHz)	
	Peculiarity	----	Applicable cable	0.81 Dia. coaxial cable(White)	
SPECIFICATIONS					
ITEM	TEST METHOD		REQUIREMENTS	QT	AT
CONSTRUCTION					
General examination	Visually and by measuring instrument.		According to drawing.	X	X
ELECTRICAL CHARACTERISTICS					
Contact resistance	10 mA Max.(DC or 1000 Hz)		Center contact 256 mΩ Max.	X	X
			Outer contact 67 mΩ Max.	X	X
Insulation resistance	100 V DC.		500 MΩ Min.	X	X
Withstanding voltage	200 V AC for 1 min. current leakage 2 mA Max.		No flashover or breakdown.	X	X
Voltage standing wave ratio	Frequency 0 to 6 GHz.		VSWR 1.3 Max.	X	—
Insertion loss	Frequency - to - GHz.		--- dB Max.	—	—
MECHANICAL CHARACTERISTICS					
Cable clamp strength (Against cable pull)	Using a pulling tester, pull the cable axially at a rate of 10 mm/min. and record the strength at which the cable or connector breaks.		7 N Min.	X	—
Count	Description of revisions		Designed	Checked	Date
△					
Remark RoHS COMPLIANT			Approved	NK.NINOMIYA	16.11.30
			Checked	MT.KANEKO	16.11.30
			Designed	YI.FUNADA	16.11.29
			Drawn	NM.KIKUCHI	16.11.29
Unless otherwise specified, refer to IEC 60512.					
Note QT:Qualification Test AT:Assurance Test X:Applicable Test			Drawing No.	ELC-305771-11-00	
HRS	SPECIFICATION SHEET		Part No.	U.FL-2LP(V)-04N1-A-(150)	
	HIROSE ELECTRIC CO., LTD.		Code No.	CL321-3378-3-11	△ 1/1



【 DIMENSIONS OF CONNECTOR 】



【 PRECAUTIONS FOR HANDLING 】

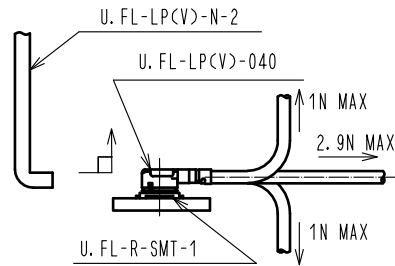
◆ Connector insertion and extraction

a. Connector shall be extracted vertically by specialised extraction JIG.
Part No. :U.FL-LP(V)-N-2<CL Code:CL331-0493-2>
Never hold the cable when extracting the Cable because it damages the connector.

b. Insert the connector as perpendicularly to the mating surface as possible by aligning the mating axes of both connectors. Do not excessively slant the connectors when inserting.

◆ Allowable loads on the cable after the connectors are mated.

The figures below show the maximum allowable loads on the cable. Do not apply loads exceeding these values to the cable.



RoHS COMPLIANT

1	U.FL-LP(V)-040	CL331-0453-8	2	0.81 Dia. coaxial cable(White)
No.	Part No.	Code No.	NO.	Part No.

UNITS mm		SCALE FREE	COUNT 	DESCRIPTION OF REVISIONS	DESIGNED	CHECKED	DATE
HIROSE ELECTRIC CO., LTD.		APPROVED :NK. NINOMIYA	16.11.30	DRAWING NO.	EDC-305771-11-00		
		CHECKED :MT. KANEKO	16.11.30	PART NO.	U.FL-2LP(V)-04N1-A-(150)		
		DESIGNED :YI. FUNADA	16.11.29	CODE NO.	CL321-3378-3-11		
		DRAWN :NM. KIKUCHI	16.11.29			1/1	