

JST

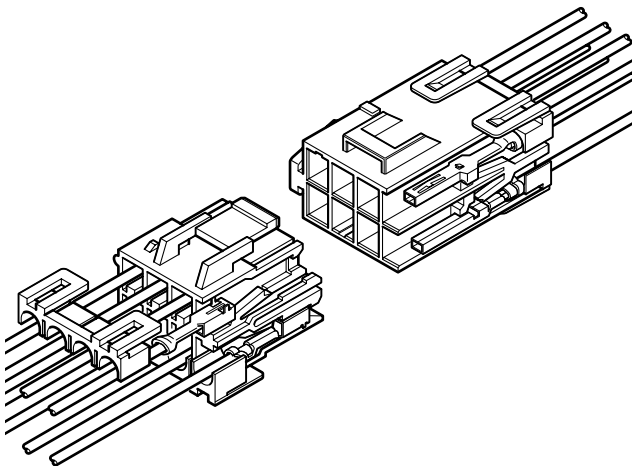
Crimp

6.2mm
(.244") pitch

VL CONNECTOR

Disconnectable Crimp style Wire-to-wire connectors

The VL connector is a 6.2mm (.244") pitch wire-to-wire connector designed for circuits requiring up to 20A (1 or 2-circuit with AWG #12 wire).



Features

• Housing lances for contact retention

Since the contact retention lances are part of the housing rather than protruding from the contact, they cannot be damaged by handling. They allow the contact to be easily inserted and securely locked into the housing.

• Secondary retainer

The secondary retainer is optionally available. This retainer ensures that the contacts are fully seated and locked in the housing and prevents their accidental release. Installed after the contacts are inserted, it locks and secures the contact.

• Suited for circuits with high power requirements

Since these contacts have large cross-sectional areas and high contact pressure, they can accommodate circuits requiring high power.

• Panel lock construction

Our unique space-saving panel lock is designed to prevent tangling with wires or breaking in cold or dry weather.

Specifications

- Current rating: 20A AC, DC max.
 - Voltage rating: 600V AC, DC max. (300V in accordance with the Electrical Appliance and Material Control Law in Japan)
 - Temperature range: -25°C to +90°C
(including temperature rise in applying electrical current)
 - Contact resistance: Initial value/7m Ω max.
After environmental testing/10m Ω max.
 - Insulation resistance: 1,000M Ω min.
 - Withstanding voltage: 2,000V AC/minute
 - Applicable wire: AWG #22 to #12
0.3 to 3.5mm²
 - Applicable panel thickness: 0.5 to 2.0mm (.020" to .079")
- * Contact JST if Lead-Free product is required.
* Temperature Range:
The aforementioned temperature range of this connector is described in JST Standard Product Specification. Maximum temperature registered in UL is 105°C.
* Refer to "General Instruction and Notice when using Terminals and Connectors" at the end of this catalog.
* Contact JST for details.

Note: The current rating varies depending on the number of circuits and the wire size used in each connector. The table below lists the current rating as a function of the number of circuits and the wire size.

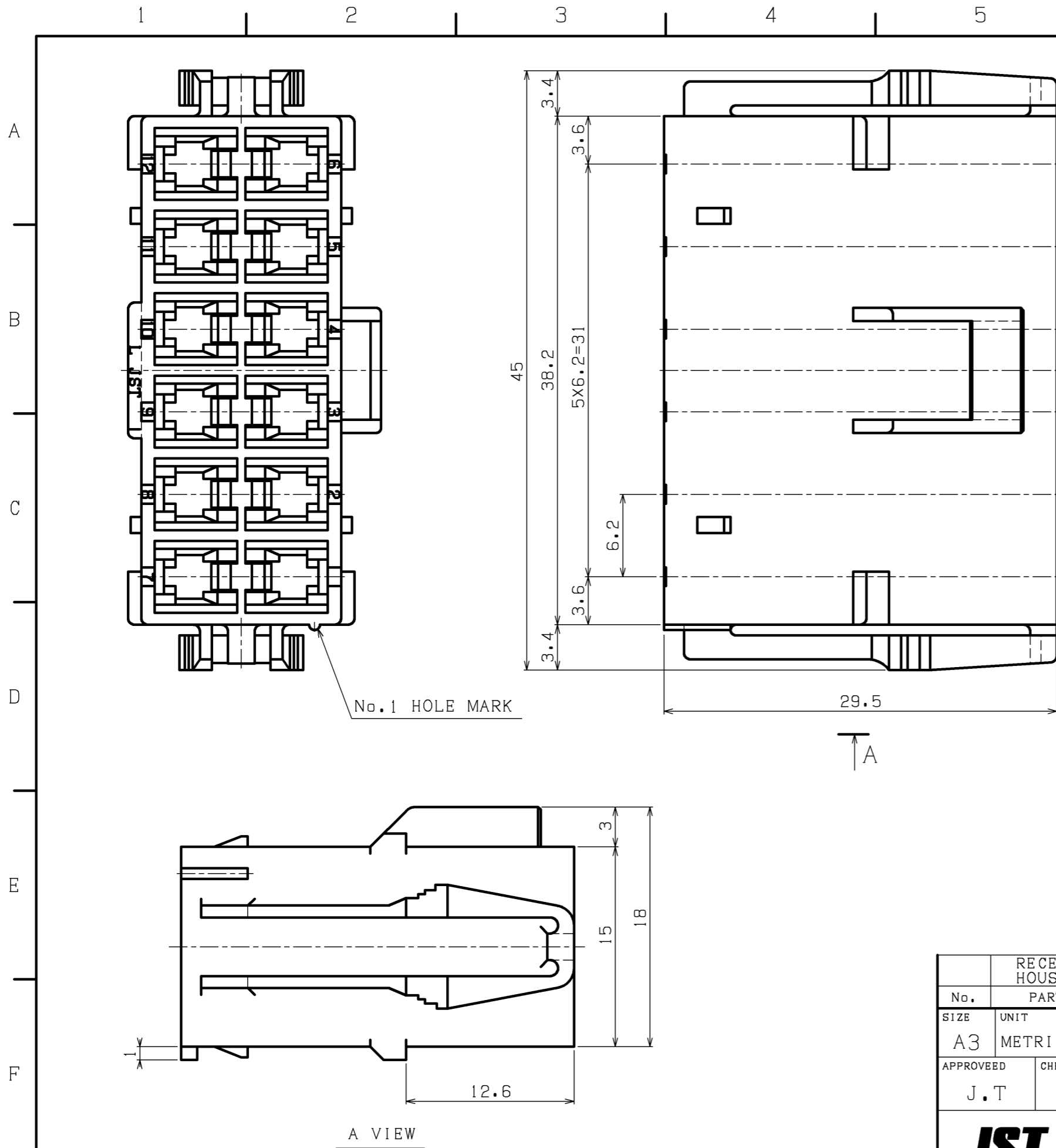
Current unit: A

Circuits	Wire size (AWG)				
	#12	#14	#16	#18	#20
1	20	15	10	8	6
2	20	15	10	8	6
3	19	14	9	8	6
4	18	13	9	7	6
6	16	12	8	7	5
8	16	11	7	6	5
12	15	10	7	6	4

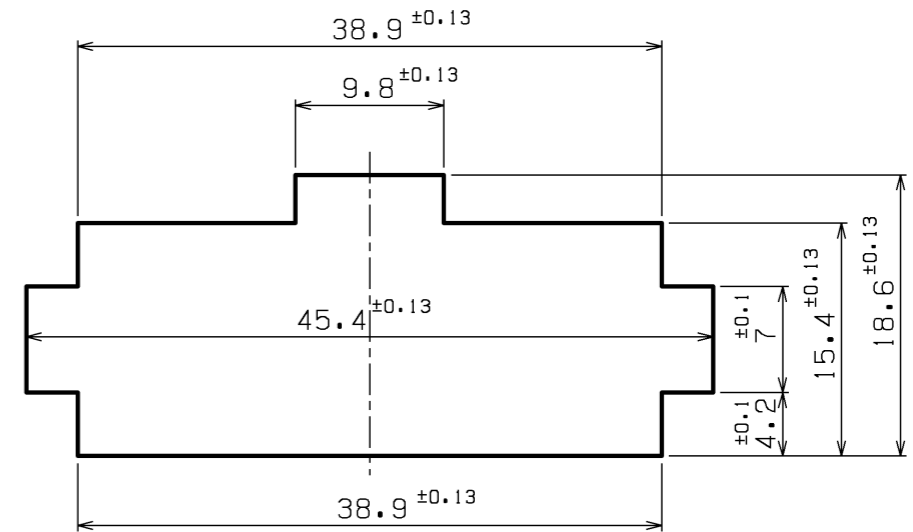
Standards

○ Recognized E60389 1 Certified LR20812 2 R9351103

JST 701



REV.	DESCRIPTION	DATE	DESIGNED
1	Drawing format change.	Mar.24.1999	K.MASAKI



P.C. BOARD HOLE LAYOUT (SCALE 2:1)

NOTE

- Unless otherwise specified, tolerances are

$0 < L \leq 3.0$: ±0.3
$3.0 < L \leq 9.0$: ±0.4
$9.0 < L$: ±0.5

No.	PART NAME	MATERIAL	SURFACE FINISH	REMARKS
	RECEPTACLE HOUSING	66NYLON		UL94V-0, NATURAL
SIZE	UNIT	SCALE	PROJECTION	DATE
A3	METRIC	3:1		JUL.14.1997
APPROVED	CHECKED	DESIGNED	DRAWN	CUSTOMER
J.T	S.K	K.M	M.T	VL CONNECTOR
J.S.T.MFG.CO.,LTD				PART No.
J.S.T.MFG.CO.,LTD				VLR-12V
J.S.T.MFG.CO.,LTD				DRAWING No.
J.S.T.MFG.CO.,LTD				KRD-13597-1
J.S.T.MFG.CO.,LTD				R1

THIS DRAWING CONTAINS INFORMATION THAT IS PROPRIETARY TO J.S.T. AND SHOULD NOT BE USED WITHOUT WRITTEN PERMISSION.

EC4109-2