

# S P E C I F I C A T I O N

CUSTOMER: \_\_\_\_\_ MARUTSUELEC \_\_\_\_\_

OPPOSITE Dept. & NAME: \_\_\_\_\_ / \_\_\_\_\_

CUSTOMER' S ITEM NO. : \_\_\_\_\_ P/N:WS-037 BK \_\_\_\_\_

WELL SHIN ITEM NO. : \_\_\_\_\_ WS-037 \_\_\_\_\_

PRODUCT TYPE: \_\_\_\_\_ PSE 3PIN AC POWER SUPPLY CORD \_\_\_\_\_

WELL SHIN DWG NO. : \_\_\_\_\_ 2616-0001 \_\_\_\_\_

REPORT DATE. : \_\_\_\_\_ 2017.04.14 \_\_\_\_\_

APPROVED BY CUSTOMER	DEAR CUSTOMER: IF YOU ARE PLEASED WITH OUR SPECIFICATION , SIGNATURE PLEASE !

APPROVED BY WELL SHIN:

APPROVED BY	CHECKED	WRITER
WU;	WU;	YU-HUEI, LIN



# SPECIFICATION

## 1. SCOPE:

1.1 THIS SPECIFICATION APPLIES TO PSE STANDARD ADAPTER. FINISHED PRODUCT DRAWING SEE PAGE 4.

### 1.2 OUTLINE:

PLUG	WS-037(NON-POLARITY)
CORD	UL 1015 16AWG 105°C, GREEN/YELLOW

## 2. ELECTRONIC WIRE:

2.1 FLEXIBLE CORD MANUFACTURER: WELL SHIN COMPANY,

2.1.1 UL LICENCE NO. E90164 SEE PAGE 5.

### 2.2 CONSTRUCTION:

CONDUCTOR	INSULATION			JACKET		
	AVG THICKNESS	MIN. THICKNESS	O. D. (mm)	AVG THICKNESS	MIN. THICKNESS	NOMINAL O. D. (mm)
CONSTRUCTION NO. /MMSQ						
26/0.254	/	/	/	0.76	0.69	3.0±0.1MM

2.3 MATERIAL: PVC

2.4 COLOR: GREEN/YELLOW.

2.2 OVERALL LENGTH: 130±15MM

## 3. PLUG CONSTRUCTION:

3.1 PLUG MODEL NO. : WS-037(NON-POLARITY)

3.2 PLUG BODY MATERIAL: MOLDED PVC COMPOUND. COLOR: BLACK

3.3 ELECTRICITY RATING: 15A 125V~

3.4 DIMENSION OF PLUG: SEE PAGE 6.

3.5 PSE CERTIFICATE NO. JET1503-43007-1005 SEE PAGE: 7~9.

#### 4. THE TERMINAL CONSTRUCTION:

4.1 DIMENSION DRAWING OF TERMINAL 99543 SEE PAGE 10~11.

#### 5. CHARACTERISTICS:

##### 5.1 APPEARANCE:

IT SHALL NOT SHOW ANY DAMAGE ON THE SURFACE OF THE PRODUCTS.

##### 5.2 INSULATION RESISTANCE:

THE INSULATION RESISTANCE IS MEASURED WITH A DC VOLTAGE OF 500V APPLIED. THE MEASUREMENT BEING MADE 1MIN AFTER APPLICATION OF THE VOLATAGE. THE INSULATION RESISTANCE SHALL BE 100MΩ OR MORE .

##### 5.3 DIELECTRIC VOLTAGE-WITHSTAND TEST:

A VOLTAGE OF SUBSTANTIALLY SINE-WAVE FORM WITH A FREQUENCY BETWEEN 50Hz~60Hz OF 125V IS APPLIED FOR 1 MINUTE BETWEEN DIFFERENCE POLARITY. NO FLASHOVER OR BREAKDOWN SHALL OCCUR DURING THE TEST.

##### 5.4 RESISTANCE TO HEAT:

THE SAMPLES OF THERMOSET MATERIAL SHALL PLACED IN A HEATING CABINET WITH NATURAL CIRCULATION WHICH IS KEPT AT A TEMPERATURE OF  $80\pm 3^{\circ}\text{C}$  FOR 7 HOURS AND THERMOPLASTIC MATERIAL AT A TEMPERATURE OF  $100\pm 3^{\circ}\text{C}$  FOR 1 HOUR. AFTER THE TEST THEY SHALL SHOW NO CRACK VISIBLE.

##### 5.5 TEMPERATURE RISING:

AFTER THE SPECIMEN BE SUBJECTED TO THE RATED CURRENT AND VOLTAGE FOR 1 HOUR, THE TEMPERATURE RISING SHALL NOT EXCEED 30K IF RATED CURRENT IS 15A OR LESS AND 40K IF RATED CURRENT IS 20A OR MORE.

##### 5.6 RETENTIVENESS FOR CONNECTOR:

THE STRAND SHALL NOT BE PULLED OUT OF THE CONTACT OF STANDARD PIN BY A 10~60N STRAIGHT PULL

#### 6. PACKING:

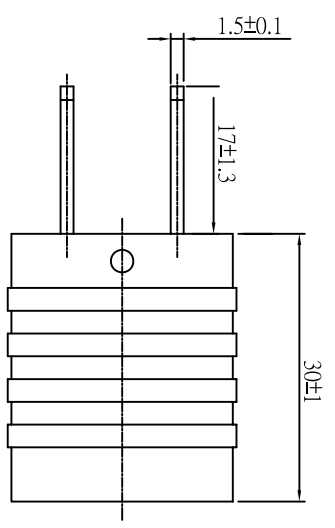
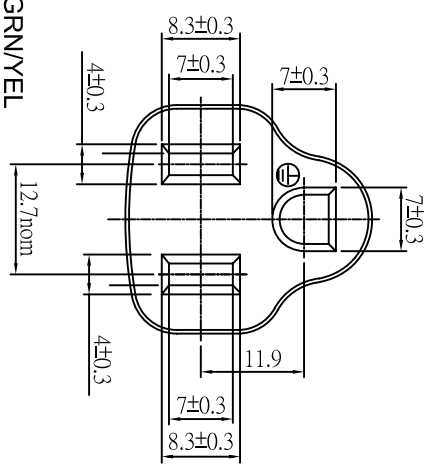
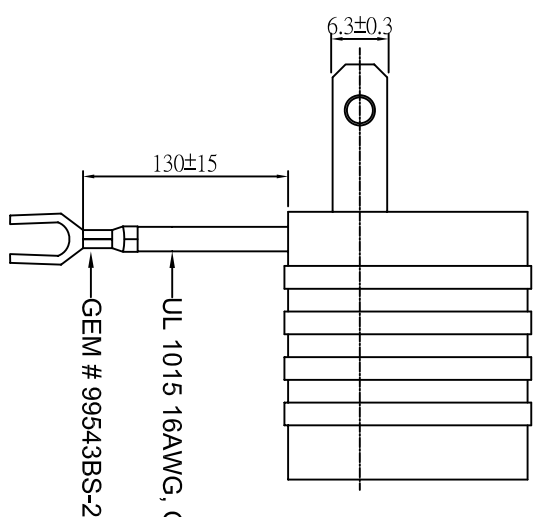
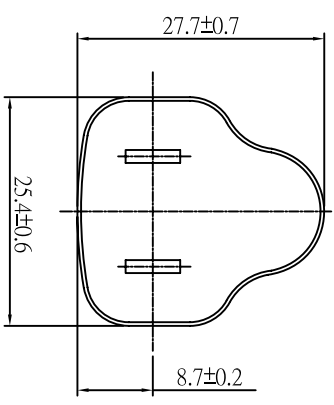
CERTAIN QUANTITY SHALL BE PUT INTO ONE CARTON.

**RoHS COMPLIANT**

CUSTOMER: MARUTSUELEC	P/N: WS-037 BK	REV. .	APPROVED BY:
REVISIONS			DATE
REV.	DESCRIPTION		

印字内容(MARKING):

15A 125V~  
WS-037  
PS  
E JET  
NIHON WELL SHIN



NOTES:

1. 顏色: 黑色
2. 20PCS一串
3. 每箱不得超過20KG

MARKING: (M) FOR DONG-GUAN PLANT, (K) FOR KUN-SHAN PLANT

ENGINEER BY: \_\_\_\_\_  
MANAGER BY: \_\_\_\_\_  
CHECKED BY: \_\_\_\_\_  
DRAWN BY: 陳金德

PRODUCT NO.: WS-037BK DATE: 2014/06/26  
UNIT: mm SHEET: 1 OF 1 REV.

ITEM	DESCRIPTION	COLOR	QTY
①	WS-037 15(A) 125(V) APPROVAL: PSE	BLACK	1



TABLE OF AUTHORIZED STYLES SINGLE-CONDUCTOR THERMOPLASTIC-INSULATED WIRE

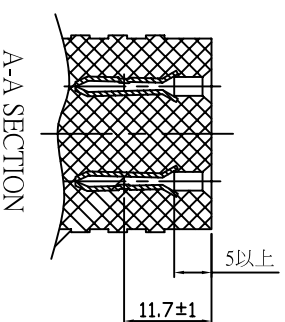
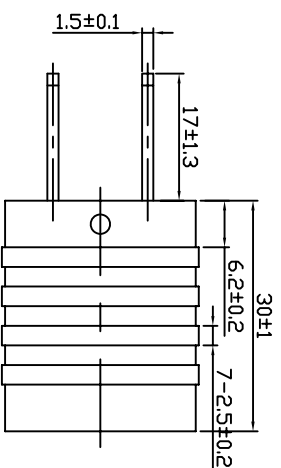
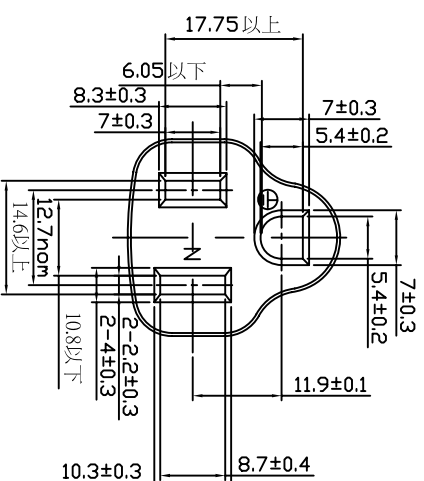
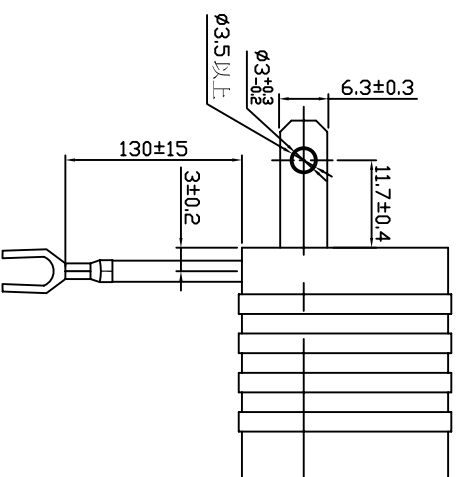
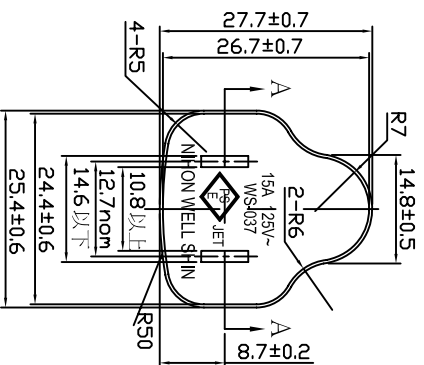
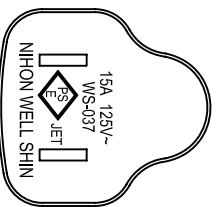
Page	Issued	Page	Issued	Page	Issued	Page	Issued
F 1007	1984-09-04	1519	1988-10-18				
F 1011	1984-09-04	F 1533	1987-12-15				
F 1013	1984-09-04	F 1569	2003-02-19				
F 1015	1984-09-04	F 1617	1984-09-04				
F 1028	1984-09-04	F 1618	1984-09-04				
F 1056	2003-04-28	F 1631	1988-12-15				
1061	1987-12-15	1663	1988-12-15				
1071	1988-12-15	1777	1987-12-15				
1095	1984-09-04	F 1792	1988-12-15				
F 1107	1988-12-15	F <b>1841</b>	2005-01-21				
1113	1988-12-15	1910	1985-04-23				
1120	2003-02-19	1916	1985-04-23				
1150	1988-12-15						
1195	1987-12-15						
1208	1987-12-15						
1230	2003-04-28						
F 1275	2003-02-19						
F <b>1316</b>	2005-01-21						
F <b>1317</b>	2005-01-21						
F <b>1318</b>	2005-01-21						
F <b>1319</b>	2005-01-21						
F 1345	2005-01-21						
F 1354	1988-11-23						
F 1365	1988-12-15						
1436	1988-12-15						
1478	1988-11-23						
F 1489	1988-12-15						
F 1503	1987-12-15						
1509	1984-09-04						

CLIENT TITLE

CLIENT SER NO.

APPROVAL BY :

印字内容(MARKING):



未注明公差指定 (単位:mm)	
0-3	±0.1
3-10	±0.2
10-30	±0.3
30-100	±0.4
100-300	±0.5
300-1000	±1.0

CUSTOMER

CHECK BY :

DRAWING NO

WS-037(帶外露地線)

TITLE

WS-037(母插有极)

ORIGINAL DATE

02.03.06

REMARK

UNIT

MM

REV

2

MANAGER

DRAWN BY