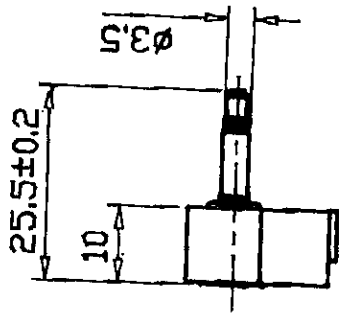
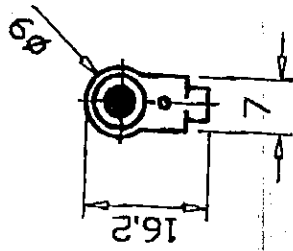
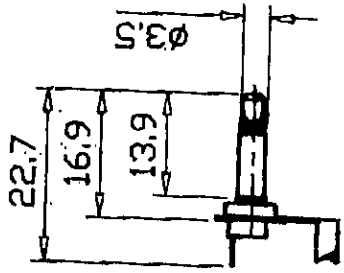
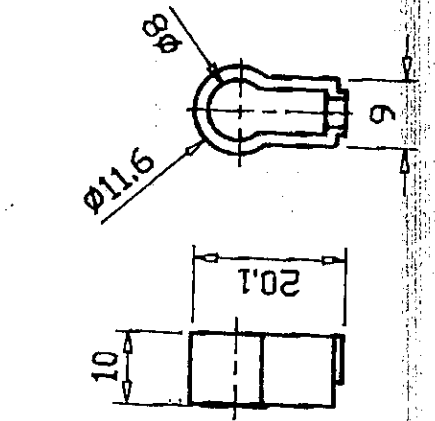
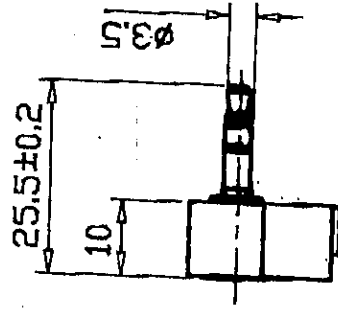
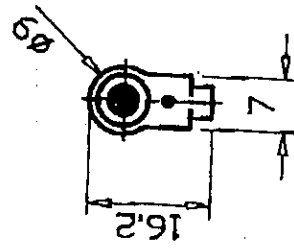
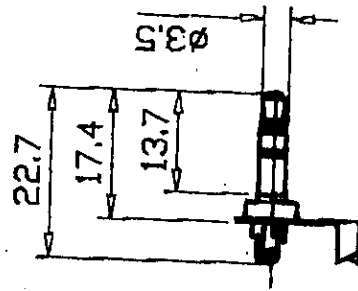
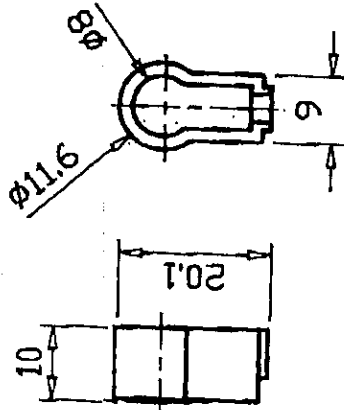


WTN-03-1100M



WTN-03-1100



UNIT	mm	SCALE	1:1	TITLE	ITEM
				DATE	DRAWER
				88/05/24	963