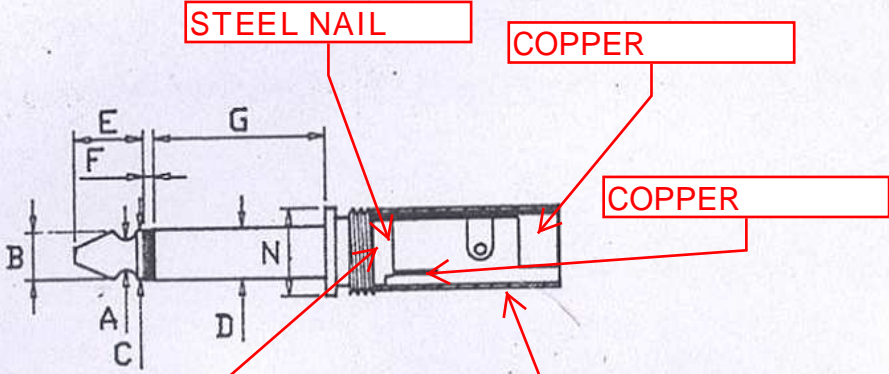
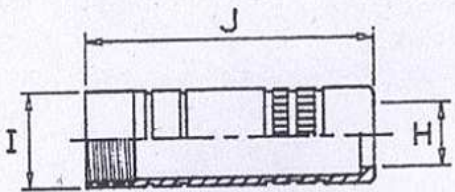


COPPER

COPPER

COPPER

STEEL



STEEL NAIL

COPPER

COPPER

INSULATION:
DERLIN

PE

- A $\phi 3.8 \pm 0.1$
- B $\phi 6.0 \pm 0.1$
- C $\phi 6.0 \pm 0.1$
- D $\phi 6.3 \pm 0.02$
- E 8.5 ± 0.2
- F 1.4 ± 0.1
- G 21 ± 0.1
- H $\phi 8 \pm 0.1$
- I $\phi 12 \pm 0.1$
- K 67.6 ± 0.3
- L $\phi 6.6 \pm 0.3$
- M $\phi 7.8 \pm 0.3$
- N $\phi 10.8 \pm 0.1$

		繪圖 Draw By C.T. WANG	設計 Designed By J.H. HUANG	比例尺 SCALE	WTN03F1083B1	WTN-03-1083 6.3mm Mono plug with metal handle	REF. NO. C02018
		核准日期 Date 1 Apr 2004	核准 Approved By J.F WANG	單位 UNIT MM			圖號
修正日期	修正說明						