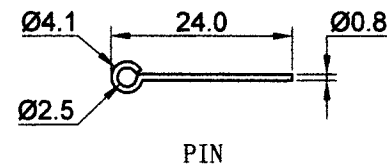
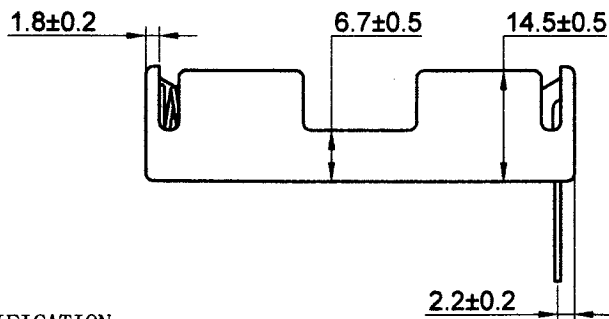


PCB/MOUNTING LAYOUT



PIN

SPECIFICATION

- (1) ITEM NO. : BH-341-2P24
- (2) WITH PIN: Ø0.8x24MM, BRASS NICKEL PLATED
- (3) HOLDER MATERIAL: PP 94HB RESIN, BLACK COLOR
- (4) SPRING MATERIAL: Ø0.7 MM SPRING STEEL NICKEL PLATED
- (5) RIVET MATERIAL: BRASS NICKEL PLATED
- (6) RoHS COMPLIANT

3			COMFORTABLE ELECTRONIC CO.LTD.		
2			NAME BATTERY HOLDER: BH-341-2P24		
1	△ Add MODEL NO. : "BH-341-2"	JUL/24/08	SCALE	1:1	APPD <i>[Signature]</i>
NO.	MODIFICATION	DATE	UNIT	MM	CHKD <i>[Signature]</i>
General Tolerances			MAT'L	SEE SPEC.	DWN <i>[Signature]</i>
0 ~ >3	± 0.10	30 ~ >120 ± 0.30	DATE	MAR. 25. 2013	DR NO 3412P24-0313
3 ~ >6	± 0.10	120 ~ >400 ± 0.50	The Third Angle Projection		
6 ~ >30	± 0.20	Angle: ± 3°			