

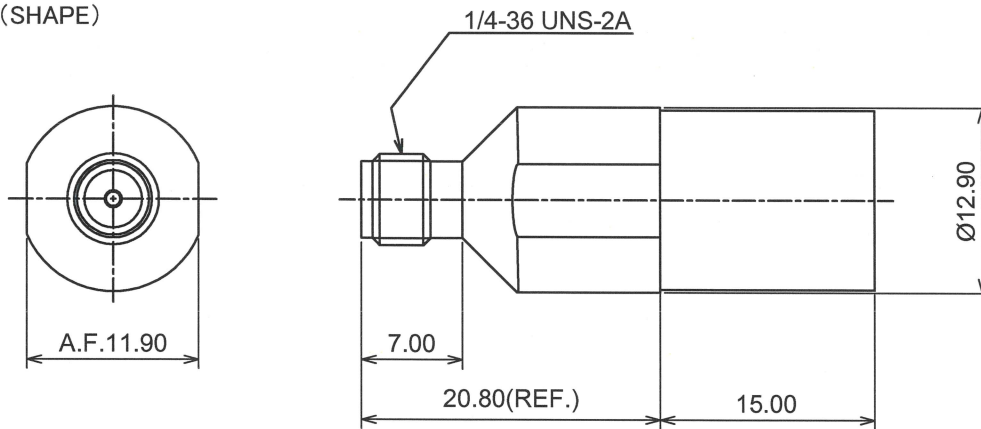
RoHS10 Support

REACH Support

CFSI Support

IP66 Waterproof after mating (Requires waterproof tube)

○形状 (SHAPE)



○規格 (STANDARD)

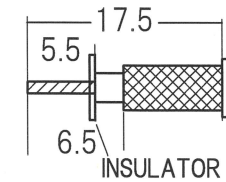
MIL-C-39012

○仕様 (SPECIFICATION)

- 特性インピーダンス (Impedance) : 50 Ω
- 定格周波数 (Working Frequency Range) : DC~6GHz
- 電圧定在波比 (VSWR) : ≤1.50 max at 6GHz
- 挿入損失 (Insertion Loss) : 0.04dB max × √f GHz (f:Frequency)
- 定格電圧 (Voltage Rating) : 335 Vrms max
- 耐電圧 (Proof Voltage) : 1000 Vrms max
- 勘合保証回数 (Connector Life) : 500 times min
- 使用温度範囲 (Temperature range) : -50°C~150°C
- 推奨締め付けトルク (Recommended Torque) 0.8~1.1 Nm

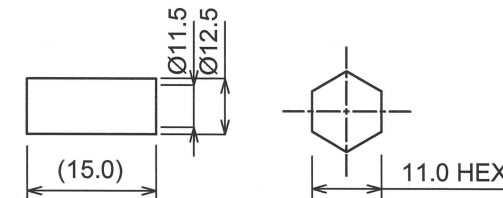
○加工寸法 (ASSEMBLY)

RECOMMENDED CABLE STRIPPING DIMS



- IF THE CORE WIRE IS A STRANDED WIRE, PERFORM PRELIMINARY SOLDERING.
- INSERT INSULATION INTO THE CABLE
- PUSH THE CABLE CENTER CONDUCTOR

RECOMMENDED CLIPPING TOOL SIZE



RECOMMENDED CRIMP HEIGHT 11.00±0.30

The tolerance in this area is ± 0.10

| | | | |
|----|-------------|----------|--------|
| 5 | FERRULE | BRASS | NICKEL |
| 4 | INSULATOR | PTFE | NONE |
| 3 | Contact | BeCu | GOLD |
| 2 | Dielectric | PTFE | NONE |
| 1 | Body | BRASS | NICKEL |
| No | DESCRIPTION | MATERIAL | FINISH |



| | | | | | |
|-----------|-----------|----------|----|---------------------------------------|--------------|
| TOLERANCE | | | | 日本エレパーツ株式会社 NIHON ELEPARTS Co.,LTD | |
| DECIMALS | .XX ±0.08 | .X ±0.13 | | | |
| DIAMETER | X ±0.03 | | | Unit | SMA-PS-RG8AU |
| Approved | Checked | Drawn | mm | REV | |
| | | | A4 | 2 | |