



77mm スピーカ
3inch Speaker

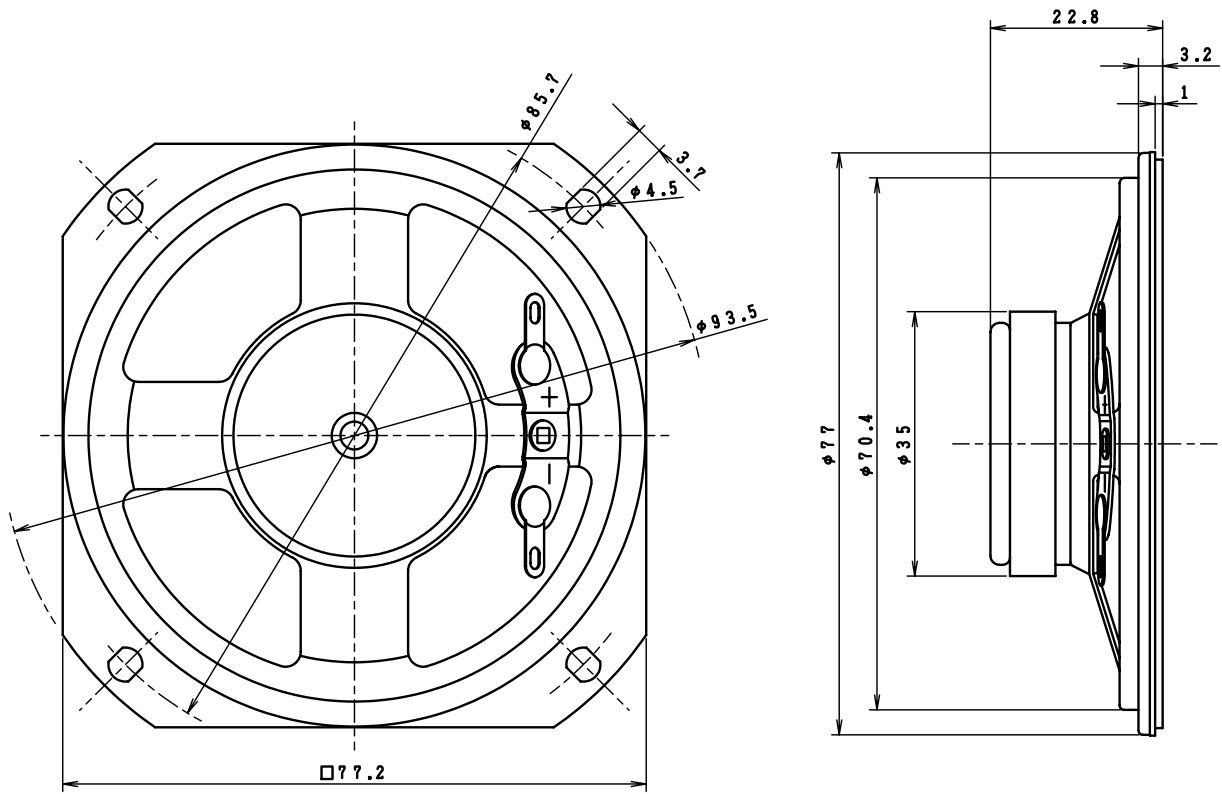
Model No.

F77C123-1

26 June 2003

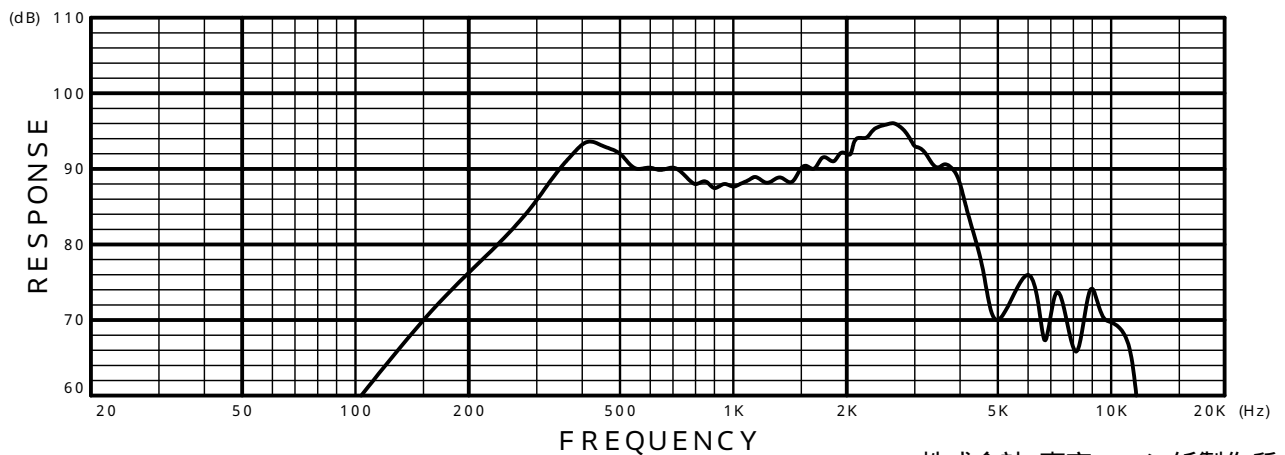
ゼネラルタイプ

General Type



Specifications

Nominal Impedance	-----	8
Nominal Power	-----	2W
Maximum Power	-----	5W
Resonance Frequency	-----	400 Hz
Effective Frequency Range	-----	Fo ~ 4,000 Hz
Sound Pressure Level	-----	89 dB W/m
Magnet Size	-----	35 x 18 x t 6 mm
Magnet Weight	-----	21 g (0.74 oz.)
Net Weight	-----	83 g (2.93 oz.)



株式会社 東京コーン紙製作所
TOKYO CONE PAPER MFG.CO.,LTD.