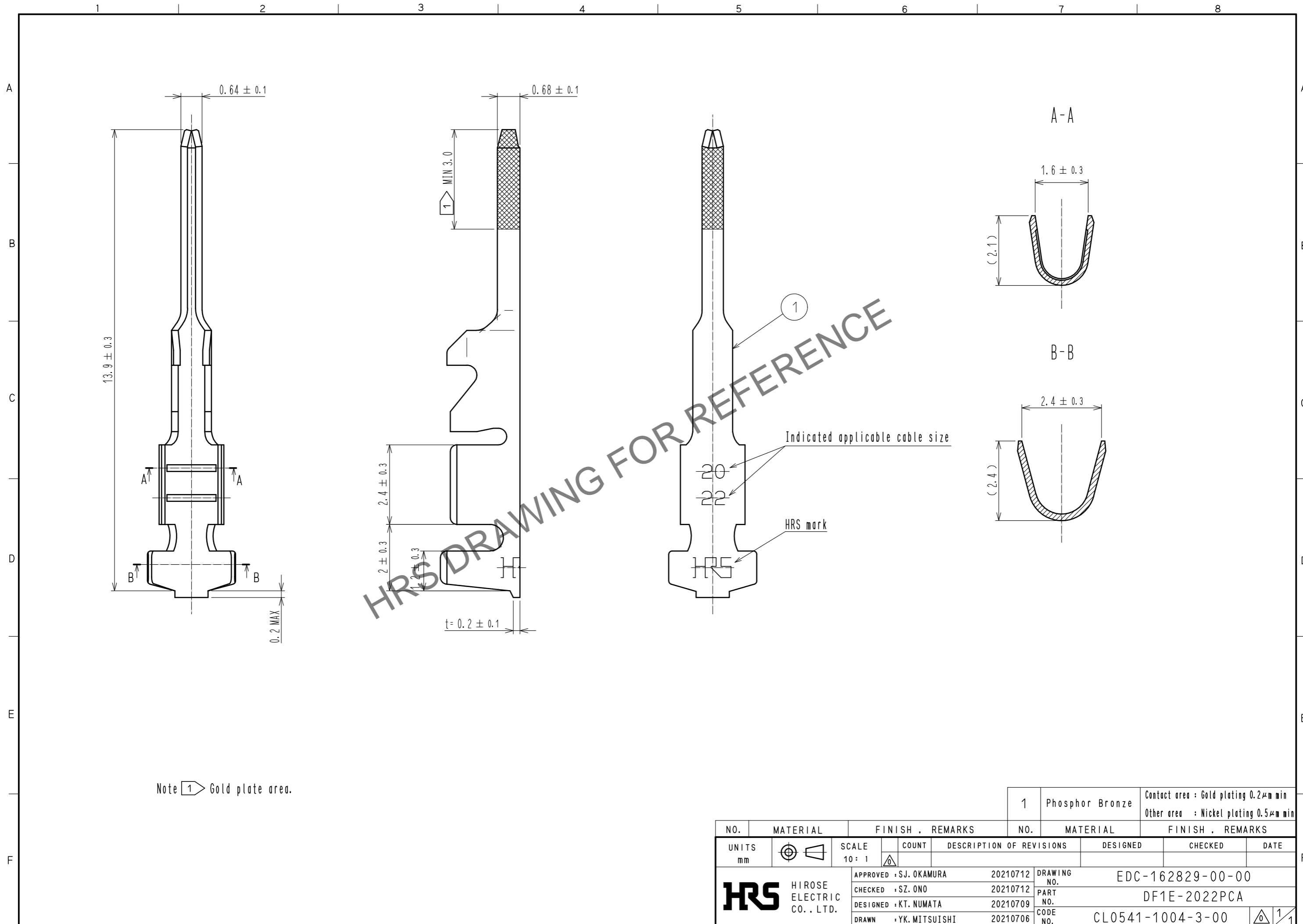


Feb.1.2026 Copyright 2026 HIROSE ELECTRIC CO., LTD. All Rights Reserved.  
 In case of consideration for using Automotive equipment / device which demand high reliability, kindly contact our sales window correspondents.



Note 1 Gold plate area.

NO.		MATERIAL		FINISH . REMARKS		NO.		MATERIAL		FINISH . REMARKS	
		1		Phosphor Bronze				Contact area : Gold plating 0.2μm min		Other area : Nickel plating 0.5μm min	
UNITS		SCALE	COUNT	DESCRIPTION OF REVISIONS				DESIGNED	CHECKED	DATE	
mm		10 : 1									
<b>HRS</b>		HIROSE ELECTRIC CO., LTD.		APPROVED : SJ. OKAMURA		20210712		DRAWING NO.		EDC-162829-00-00	
				CHECKED : SZ. ONO		20210712		PART NO.		DF1E-2022PCA	
				DESIGNED : KT. NUMATA		20210709		CODE NO.		CL0541-1004-3-00	
				DRAWN : YK. MITSUISHI		20210706				1/1	