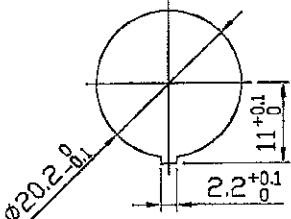
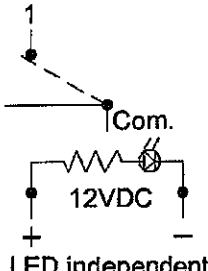


| | | | |
|-----------------------|---------------------------------|--|---|
| Rating | 20A 14VDC |  |  |
| Contact Resistance | 50m ohm Max. | | |
| Insulation Resistance | DC 500V 100M ohm Min. | | |
| Dielectric Strength | AC 1000V 1 minute | | |
| Operation Temperature | -25°C~85°C | | |
| Switch Function | 4P SPST OFF-ON(LED independent) | | |

Material:

Frame: Black, Nylon 66 (94-V2)

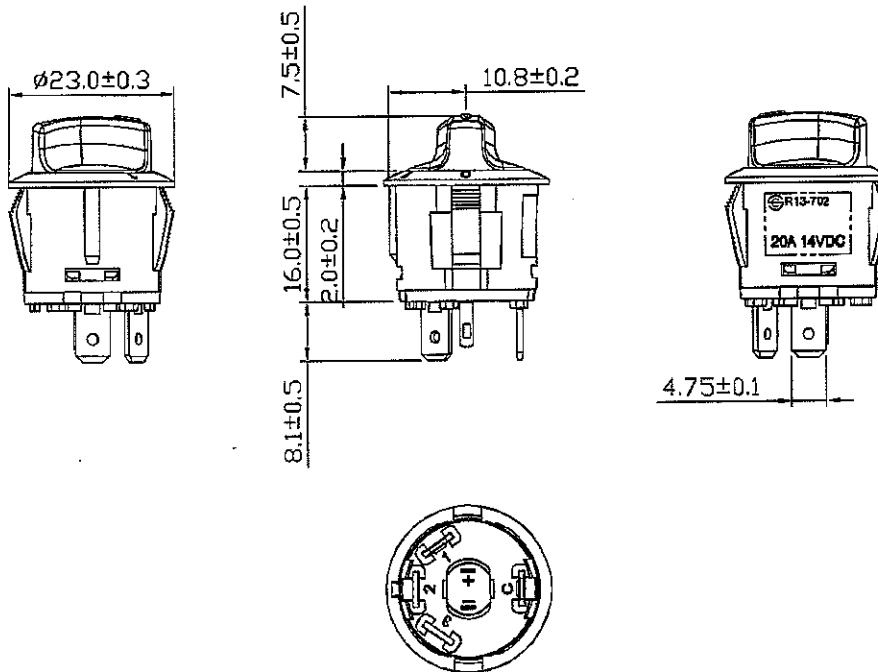
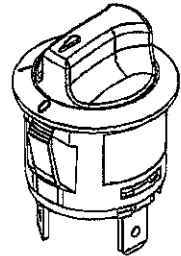
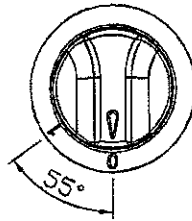
Actuator: Black, Nylon 66 (94-V2)

Lens: White diffuse

Terminals: Silver plated, Copper alloy

LED: Red

Hot stamping: White, 0,1



C3\WORK14\13-702A1-02-BBW-1\1R00-1_X0

| | | | | | | △ | |
|----------|---------|--------------------|--------------|---------|------------|---------------------------|------|
| | | | | | | △ | |
| | | | | | | NO | |
| Date | Name | Description | | | | | |
| Drawn | Checked | Approved | SCI BOM No. | 1940017 | Model Name | ROTARY SWITCH | |
| B.S.Wang | | <i>[Signature]</i> | Customer No. | | Model No. | R13-702A1-02-BBW-1\1R00-1 | REV. |
| 12/28/10 | | <i>[Signature]</i> | Unit | mm | | | 0 |