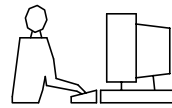
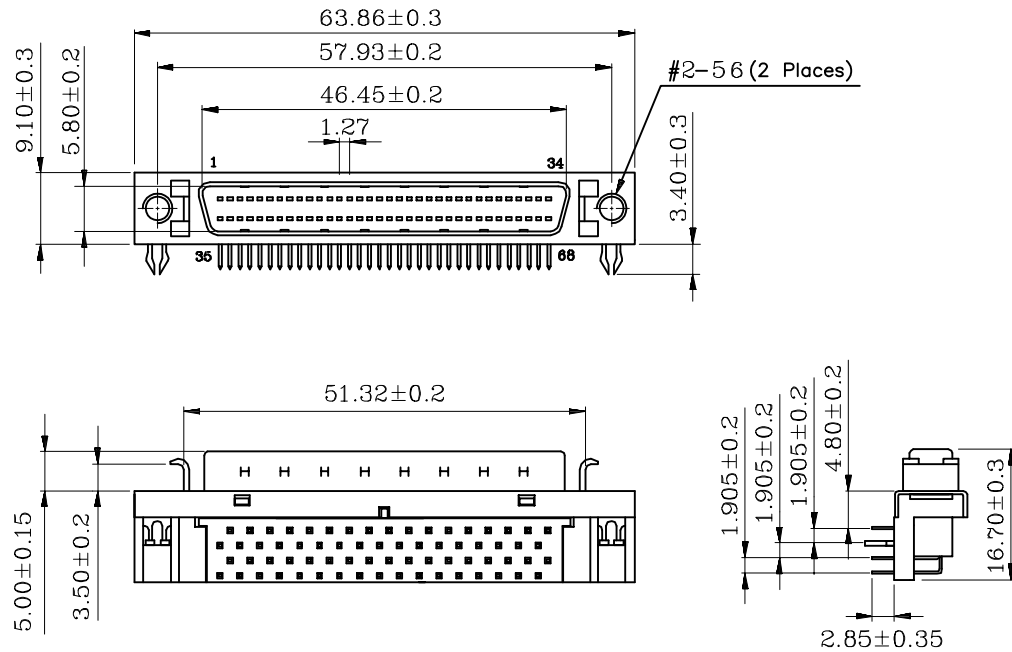


THIS IS A C.A.D. GENERATED DRAWING
DO NOT MAKE MANUAL REVISIONS TO MASTER.



* UNLESS OTHERWISE SPECIFIED TOLERANCES
ON DECIMAL IS:
UNIT: MM



1. MATERIALS:(RoHS Compliant)

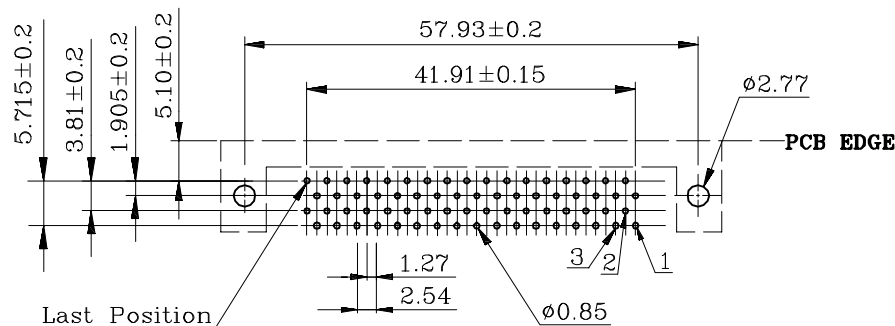
- 1.1 Housing And Cover: Plastic Thermoplastic L.C.P UL94V-0 Black
- 1.2 Contacts: Phosphor Bronze Gold Selective Plated
- 1.3 Front Shell: Steel Nickel Plated Over Copper
- 1.4 Bracket: Steel Nickel Plated Over Copper
- 1.5 Boardlock: Brass Tin Plated Over Copper

2. ELECTRICAL CHARACTERISTICS

- 2.1 Contact Current Rating: 0.5 Amp
- 2.2 Dielectric Withstanding Voltage: 500 AC
- 2.3 Insulation Resistance: >500MΩ/Min
- 2.4 Contact Resistance: 35mΩ/Max
- 2.5 Operation Temperature: -55°C ~ +85°C

3. SOLDER DIPPING

- 3.1 260°C, 10 Seconds, or Twice
 - 3.2 263°C, 5 Seconds, Up Two Times
- (The preheat temperature is below 100°C component surfaces within 60 seconds)



PCB Layout (B)

THESE DRAWINGS AND SPECIFICATIONS ARE THE PROPERTY OF MH CONNECTORS AND SHALL NOT BE REPRODUCED, COPIED OR USED AS THE BASIS FOR THE MANUFACTURE OR SALE OF APPARATUS WITHOUT WRITTEN PERMISSION.			DRAWN HALEY		DATE 03-27-15	
			APPROVED		DATE	
SCALE 1 : 1		SHEET OF 1 OF 1		REV: 3.0		
DRAWING No 3700-0121-01						



THIS SERIES FULLY CONFORMS TO THE EUROPEAN UNION DIRECTIVES 2002/95/EC AND 2002/96/EC FOR RoHS COMPLIANCY.



**MH CONNECTORS ,
DIVISION OF EDAC**