



1

2

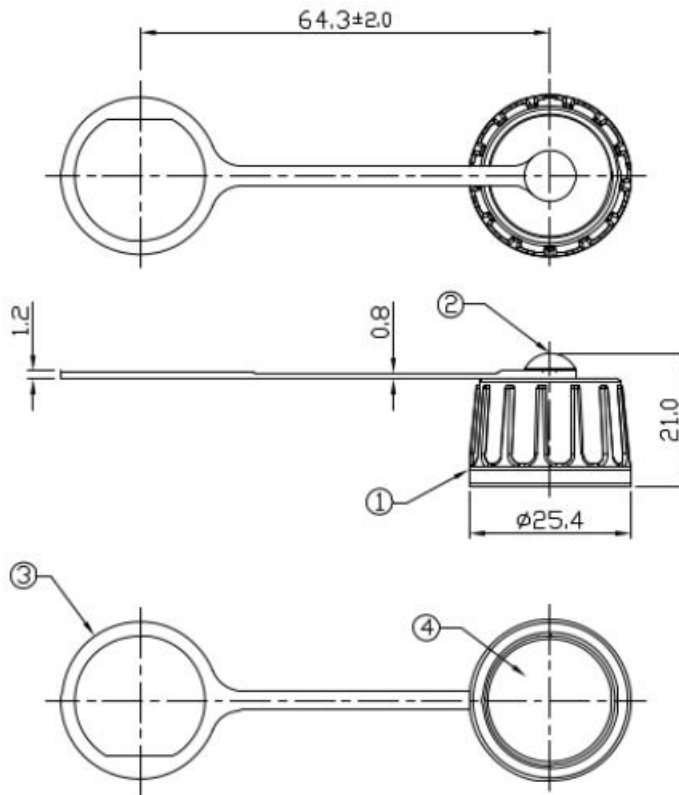
3

4

Notes: (Unless Otherwise Specified)

- 1. Waterproof Rate: IP67.
- 2. RoHS Compliant.

REV	ECN#	DESCRIPTION OF REVISION	DRAW BY DATE	CHECK BY DATE	APPROVE BY DATE
A0		Mass Production	Joyce 03/21/12	Lucas 03/21/12	Ray 03/21/12



4	Rubber Pad	Silicone Color: Black	1
3	Plastic Chain	Thermoplastic Color: Black	1
2	Rivet	Thermoplastic Color: Black	1
1	Screw Cap	Thermoplastic Color: Black	1
Item	Part Name	Material / Finish	Qty

TITLE
Cap Plastic For RJ45 C3 Screw Panel With Plastic Chain(Left D-Cut)

		B	1:1	Joyce 09/16/11	Lucas 09/16/11	Ray 09/16/11	XX ± 05 X.XX ± 02	X,XXX ± 005 ANGLES ± 1°	mm	1/1
		THIRD ANGLE PROJECTION	SIZE	SCALE	DRAW / DATE	CHECK / DATE	APPROVE / DATE	TOLERANCES	UNIT	SHEET

RS Stock No
125-7926

1

2

3

4