



Datasheet

RS PRO 3W Embedded Switch Mode Power Supply SMPS

Stock No: 1813235,1813254



ENGLISH

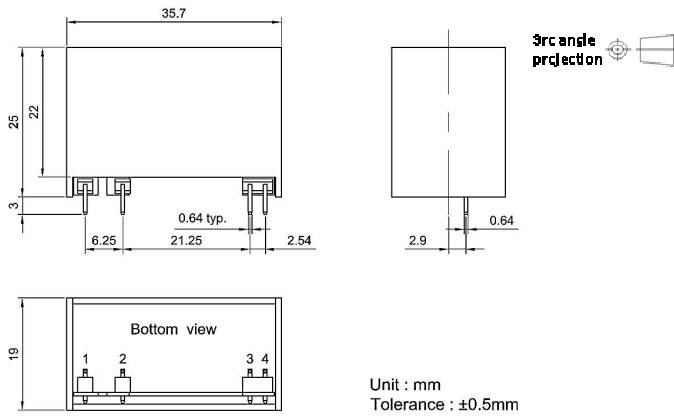
■ Features :

- Universal Full Input 90-264VAC or 120-370VDC
- 3 Watt Power
- Short Circuit Protect Function
- No Load Power Consumption 0.3W typ.
- 3KVAC Isolation
- Operating Temperature Range From -25°C to +80°C Without Derating

SPECIFICATION

ORDER NO.	A3D-AC3.3	A3D-AC05	A3D-AC09	A3D-AC12	A3D-AC15	A3D-AC24		
OUTPUT	Output Current	900mA	600mA	333mA	250mA	200mA	125mA	
	Output Voltage	3.3Vdc	5Vdc	9Vdc	12Vdc	15Vdc	24Vdc	
	Output Voltage Tolerance (NOTE.2)	±6% Max.						
	Line Regulation	±1.5% Max.						
	Load Regulation (2~100%Load)	±6% Typ.						
	Leakage Current	10uA max.						
	Efficiency	67%	71%	75%	75%	76%	78%	
	Ripple & Noise (NOTE.3)	< 200mVp-p						
	Switching Frequency	60KHz Typ.						
	Short-Circuit Protection	Continuous, Automatics Recovery						
	Minimum Load	2% Min.						
	Hold-up Time	115Vac: 15ms (Typ.) / 230Vac: 80ms (Typ.)						
	Capacitive Load (NOTE.4)	10000uF	7500uF	2700uF	1200uF	900uF	390uF	
INPUT	Input Voltage Range	90-264VAC or 120-370VDC						
	Input Frequency	47-440Hz						
	Inrush Current (<0.5ms)	115VAC: 15A / 230VAC: 30A						
	No Load Power Consumption	0.3W typ.						
ENVIRONMENT	Operating Temperature	-25 ~ +85°C (Refer to derating curve)						
	Storage Temperature	-40°C ~ +85°C						
	Humidity	95% RH Max.						
GENERAL	Dimensions	35.7 x 19 x 25mm (L*W*H)						
	Case Material	UL94V-0						
	Package Weight	27.5g Typ.						
	Potting Material	Silicone						
	Isolation Voltage	3KV ac/1minute						
	Isolation Resistance	1GΩ Min.						
	MTBF (NOTE.5)	3.0*10 ⁶ Hrs.						
	Isolation Resistance	1GΩ Min.						
	Over Current Protection	Continuous, Automatics Recovery						
	Over Voltage Protection	Zener diode clamp						
	CE Certification	meet EN 55022: 2006+A1: 2007/ Class B / EN55024: 1998+A1: 2001+A2: 2003						
	UL General Safety	meet UL-60950-1, 2nd edition						
EN General Safety	meet EN-60950-1, 2nd edition							
NOTE	<p>1.All specifications in this datasheet are measured at an ambient temperature of 25°C.</p> <p>2.* The "output voltage tolerance" includes initial voltage accuracy, thermal drift, line regulation and load regulation at rated input voltage and load conditions</p> <p>3.*Ripple & noise are measured 115/230Vac @ 20MHz limited, please check "Ripple & Noise measure method"</p> <p>4.*Capacitive load mearsure @115Vac/ 60Hz constant resistant mode full load</p> <p>5.*MTBF* are tested base on MIL-HDBK-217F@115Vac/60Hz</p> <p>6 Special input and output voltage combinations available by request, please check our sales.</p> <p>7.The product information and specifications are subject to change without prior notice.</p>							

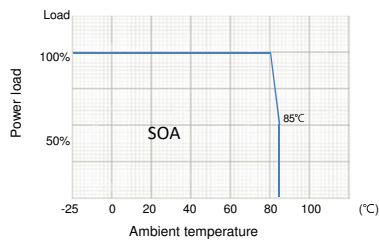
Mechanical Specification



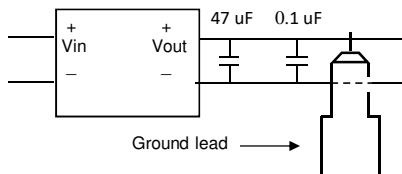
Pin Define

Pin #	
1	AC Vin (L)
2	AC Vin (N)
3	+DC Vout
4	-DC Vout

Derating Curve



Ripple & Noise measure method



* "Ripple and Noise" is the maximum peak-to-peak voltage value measured at the output with a 20 MHz bandwidth, at rated line voltage at full load; And with a 47µF low-ESR electrolytic capacitor in parallel with a 0.1µF ceramic capacitor across the output.

File Name: A3D Series SPEC 2016-5-30