



## データシート

Japanese

# AC-DCコンバータ 20W、基板実装、密閉型、A20Dシリーズ

## 詳細情報



A20Dシリーズ電源は、絶縁耐圧3kVの絶縁耐力を備えた小型な電源です。

産業、計器及び民生用途に最適です。

ワイド入力電圧範囲：90 – 264Vac

一次側 Fuse：Fuse抵抗内蔵

絶縁耐力：3kVac

ワイド動作温度範囲：-30℃ - 75℃

小型、低リップル及び低ノイズ

過出力電流保護

安全規格：EN60950に準拠

EMC：EN55032 (Class B)に準拠

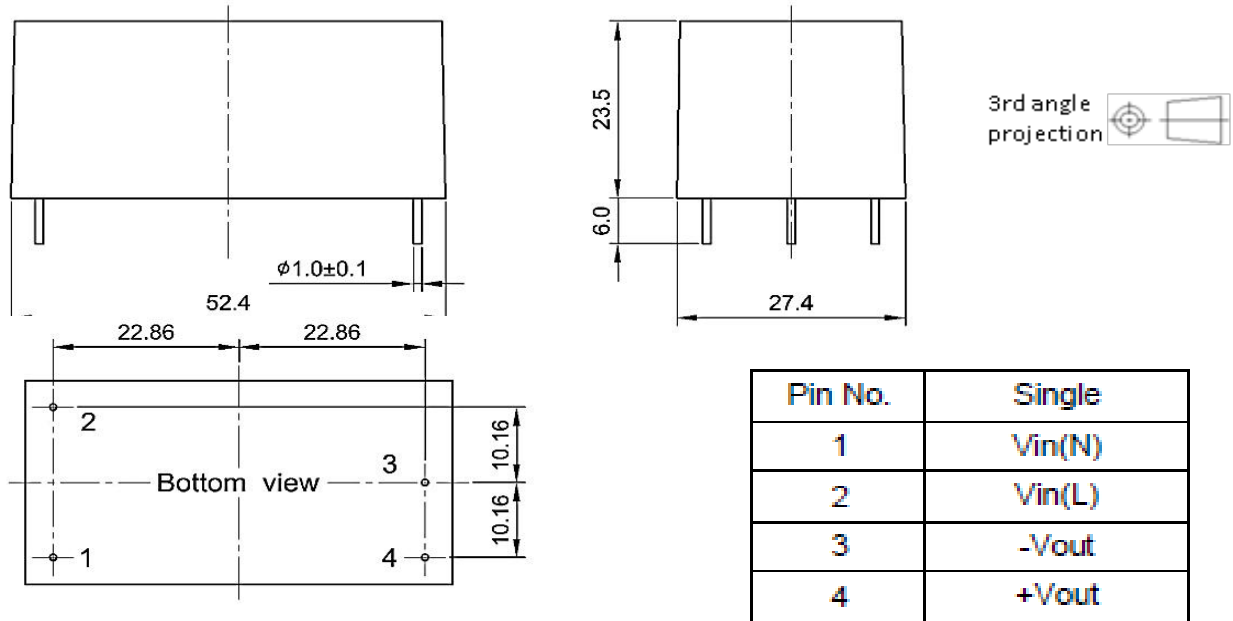
## Specifications:

	A20D-AC05	A20D-AC09	A20D-AC12	A20D-AC15	A20D-AC24
Depth	23.5mm				
Efficiency	80%	83%	85%	85%	86%
Fuse	Internal built-in				
Humidity	95% RH Max.				
Input Voltage	90 – 264Vac				
Isolation Voltage	3kV ac / 1minute				
Length	52.4mm				
Line Regulation	$\pm 0.5\%$				
Load Regulation	$\pm 1\%$ Max. (0-100%Load)				
Maximum Temperature	+75°C				
Minimum Temperature	-30°C				
MTBF	115000h (115Vac) / 1036000h 8230Vac) @25°C				
Number of Outputs	1				
Output Current	4000mA	2222mA	1667mA	1333mA	840mA
Output Voltage	5Vdc	9Vdc	12Vdc	15Vdc	24Vdc
Package Type	Encapsulated				
Power Rating	20W				
Ripple and Noise	150mVpp Max.				
Short-Circuit Protection	Automatic Recovery				
Weight	112g Typ.				
Width	27.4mm				
Frequency Rating	100kHz Typ.				
Safety	Based on UL60950				

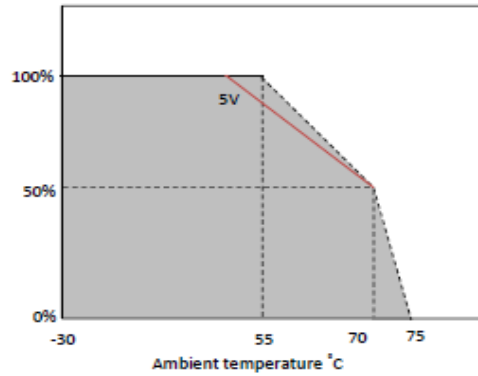
1. All specifications in this datasheet are measured at normal input and ambient temperature of 25° C.
2. The “output voltage tolerance” includes initial voltage accuracy, thermal drift, line regulation and load regulation at rated input voltage and load conditions
3. MTBF\* are tested base on MIL-HDBK-217F

# RS Pro 組込みスイッチモード電源 (SMPS), 3.3Vdc / 300mA, 5Vdc / 200mA

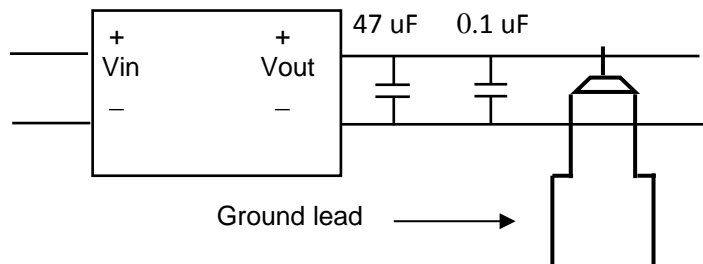
## Mechanical Specification



## Derating Curve



## Application Note



1. To measure the output ripple & noise with short runs by 0.1uF/50V@20MHz, nominal input and full load.