



## Main

Range of product	Harmony Relay
Product or component type	Solid state relay
Device short name	SSP1
Mounting support	Panel
Number of phases	1 phase
Contacts type and configuration	1 NO
[In] rated current	25 A
Solid state output type	DC switching Mosfet output

## Complementary

[Uc] control circuit voltage	3.5...32 V DC
Minimum switching voltage	3.5 V DC turn-on
Maximum switching voltage	1 V DC turn-off
Response time	0.1 ms (turn-on) 0.1 ms (turn-off)
Input current	10...15 mA
Output voltage	1...150 V DC
Load current	0.001...40 A
Surge current	106 A for 10 ms
Co-ordination type	Type 2 - 20 A miniature circuit breaker (MCB) - curve B Type 1 - 40 A miniature circuit breaker (MCB) - curve B
Maximum leakage current	0.3 mA off-state
Maximum voltage drop	<2.1 V on-state
Insulation resistance	1000 MOhm at 500 V DC
Maximum capacitance	50 pF for input/output
Dielectric strength	2.5 kV AC for input/output

	2.5 kV AC for input or output to case
[Uimp] rated impulse withstand voltage	2.5 kV output to case
Tightening torque	1.5...1.7 N.m for input 2...2.2 N.m for output
Connections - terminals	Screw terminals: 0.2...3.3 mm <sup>2</sup> , (AWG 24...AWG 12) with cable end for input Screw terminals: 0.5...5.26 mm <sup>2</sup> , (AWG 20...AWG 10) with cable end for output Screw terminals: 0.2...3.3 mm <sup>2</sup> , (AWG 24...AWG 12) without cable end for input Screw terminals: 0.5...8.26 mm <sup>2</sup> , (AWG 20...AWG 8) without cable end for output Forked type tag connectors: 9.2 x 4 mm for input Ring lugs: 9.2 x 4 mm for input Forked type tag connectors: 11.7 x 4.5 mm for output Ring lugs: 11.7 x 4.5 mm for output
Thermal resistance	0.22 °C/W junction to case
LED indicator	LED, green for input
IP degree of protection	IP20
Safety reliability data	MTTFd = 1875.9 years B10d = 1731395
Net weight	89.2 g
Device presentation	Complete product

## Environment

Ambient air temperature for operation	-40...80 °C
Ambient air temperature for storage	-40...125 °C
Pollution degree	2
Overvoltage category	III
Product certifications	CSA CE UL EAC
Marking	CE EAC CSA UL
Standards	CSA C22.2 No 14-13 EN/IEC 60950-1 UL 508 EN/IEC 62314

## Packing Units

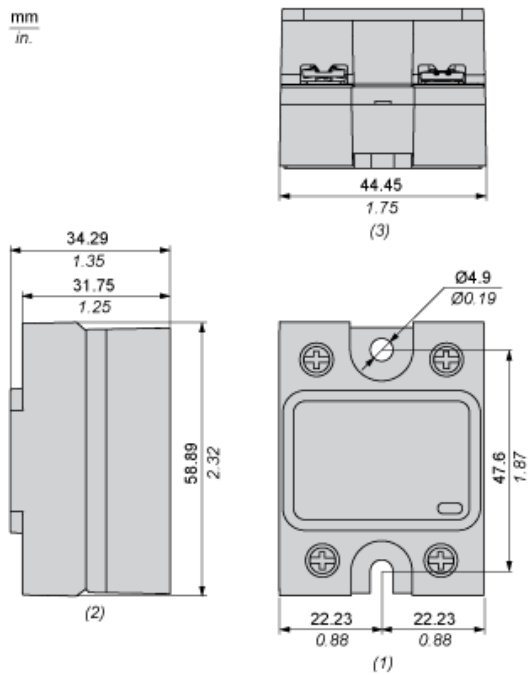
Package 1 Weight	0.104 kg
Package 1 Height	0.380 dm
Package 1 width	0.480 dm
Package 1 Length	0.660 dm

## Offer Sustainability

Sustainable offer status	Green Premium product
REACH Regulation	<a href="#">REACH Declaration</a>
REACH free of SVHC	Yes
EU RoHS Directive	Pro-active compliance (Product out of EU RoHS legal scope) <a href="#">EU RoHS Declaration</a>
Toxic heavy metal free	Yes
Mercury free	Yes
RoHS exemption information	<a href="#">Yes</a>
China RoHS Regulation	<a href="#">China RoHS declaration</a>
Environmental Disclosure	<a href="#">Product Environmental Profile</a>
Circularity Profile	<a href="#">End of Life Information</a>

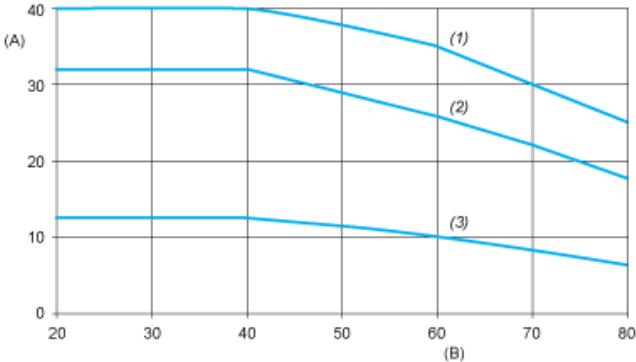
Dimensions

mm  
in.



- (1) Front view
- (2) Side view
- (3) Bottom view

Derating Curves



- A : Load Current (Arms)
- B : Ambient Temperature (°C)
- (1) For Heatsink SSRHD10
- (2) For Heatsink SSRHP17
- (3) No Heatsink