



Main

Range of product	Harmony XVS
Product or component type	Editable electronic alarm
Beacon or indicator bank unit type	Sound unit
Device short name	XVSV

Complementary

Colour	Dark grey
Input type	Bit: 6 channel input Binary: 63 channel input
Assembly style	Ready assembled
Material	PC (polycarbonate): body PC (polycarbonate): back cover TPE (thermoplastic elastomer): front panel NBR (nitrile butadiene rubber)
Net weight	0.268 kg
Marking	CE
Overvoltage category	Class II conforming to EN/IEC 61140
Mounting support	96 mm DIN rail
[Us] rated supply voltage	12...24 V DC
[Ue] rated operational voltage	10...30 V DC
Inrush current	30 A
Associated fuse rating	1 A
[Uimp] rated impulse withstand voltage	1 kV
Power consumption in W	3.8 W
Current consumption	160 mA at 24 V DC
Clamping connection capacity	<= 1 x 1.5 mm ²
Device application	Subway Printing

Disclaimer: This documentation is not intended as a substitute for and is not to be used for determining suitability or reliability of these products for specific user applications

	Packaging
Mounting diameter	105 mm
Width	105 mm
Height	105 mm
Depth	50.1 mm

Environment

Discrete output type	NPN
Signalling type	Adjustable vocal sound
Protective treatment	TC
Ambient air temperature for storage	-20...60 °C
Ambient air temperature for operation	-10...55 °C
Relative humidity	35...85 % without condensation
Vibration resistance	7 gn
IP degree of protection	Panel mounted: IP65 conforming to EN/IEC 60529 Wall mounted: IP20
Noise level	0...97 dB (stop or suppress) at 1 m

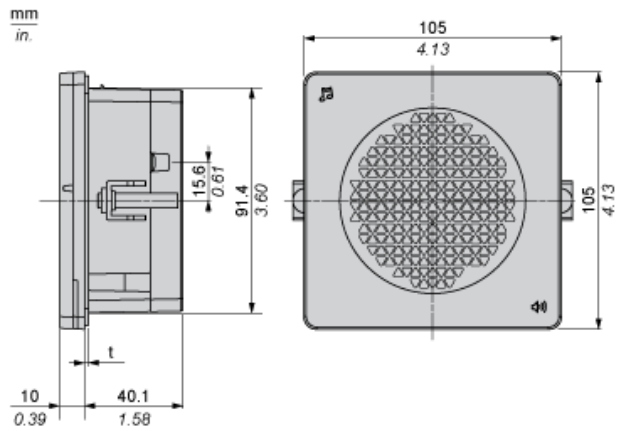
Packing Units

Package 1 Weight	0.546 kg
Package 1 Height	0.900 dm
Package 1 width	1.300 dm
Package 1 Length	1.750 dm

Offer Sustainability

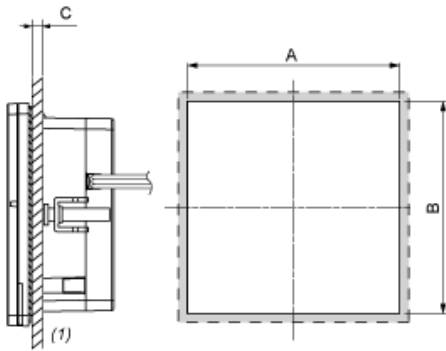
Sustainable offer status	Green Premium product
REACH Regulation	REACH Declaration
EU RoHS Directive	Pro-active compliance (Product out of EU RoHS legal scope) EU RoHS Declaration
Mercury free	Yes
RoHS exemption information	Yes
China RoHS Regulation	China RoHS declaration
Environmental Disclosure	Product Environmental Profile
Circularity Profile	End of Life Information

Dimensions



(t) : Waterproof rubber (1.6 mm / 0.06 in.)

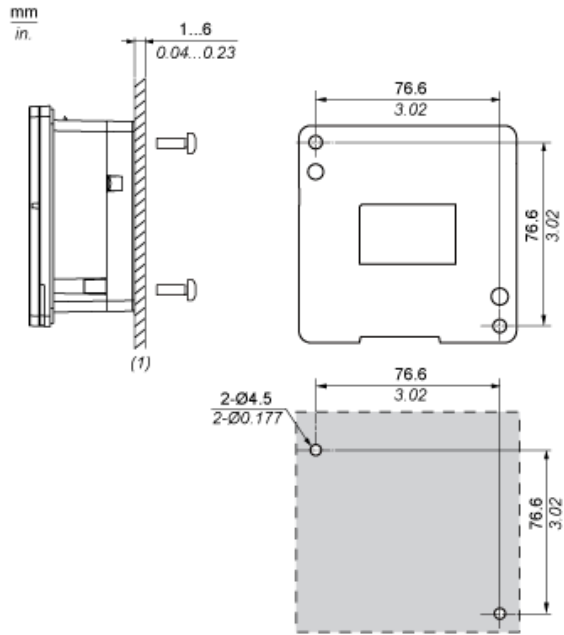
Panel Cut Dimensions



(1) Installation panel

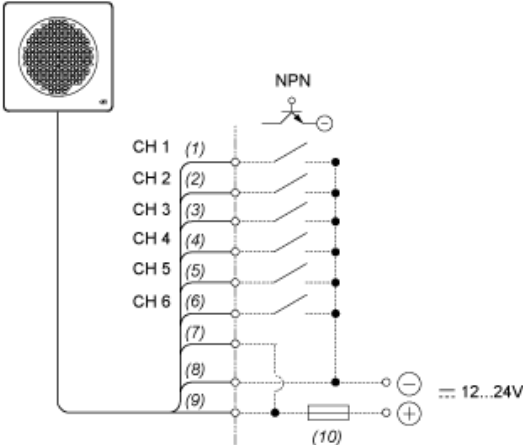
A	B	C
92 +0.6/0 mm (3.62 +0.0236/0 in.)	92 +0.6/0 mm (3.62 +0.0236/0 in.)	1...4 mm (0.04...0.15 in.)

Wall Mount Dimensions



(1) Installation panel

Wiring Diagram



- (1) Green
- (2) Yellow
- (3) Brown
- (4) Blue
- (5) Purple
- (6) Gray
- (7) White
- (8) Black
- (9) Red
- (10) Fuse (Rated current:1 A)