

Device Modeling Report

COMPONENTS: CAPACITOR/ ELECTROLYTIC
PART NUMBER: LXZ25VB2200MK35
MANUFACTURER: Nippon Chemi-Con Corporation
THERMAL: Ta= 40C (degree)



Bee Technologies Inc.

Theory: Auto Balancing Bridge Method

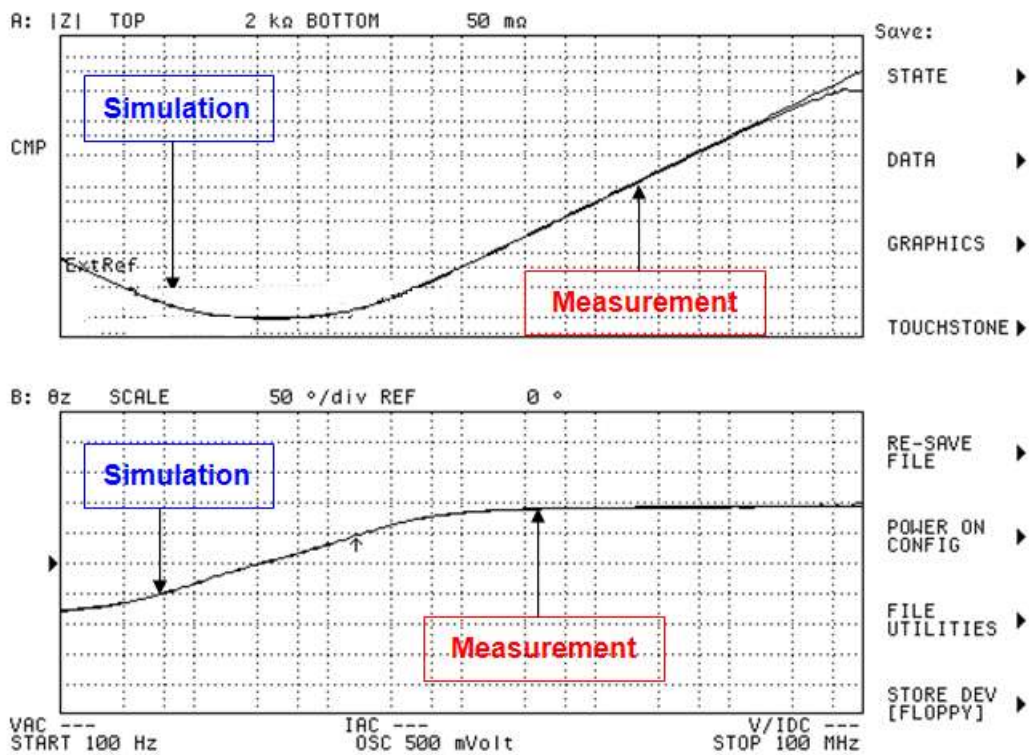
Optimization of Simulation

Range of adjustment Frequency: 100 Hz to 100M(Hz)

Frequency vs. $|Z|$ and Frequency vs. θz Characteristic

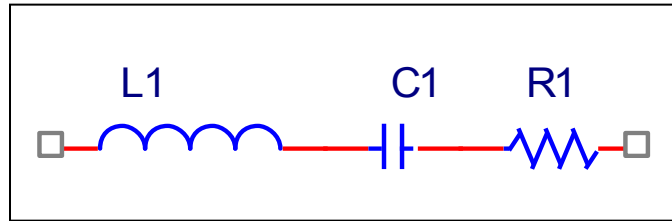
Attention)

Please use SPICE MODEL within the range from 100Hz to 100M(Hz)



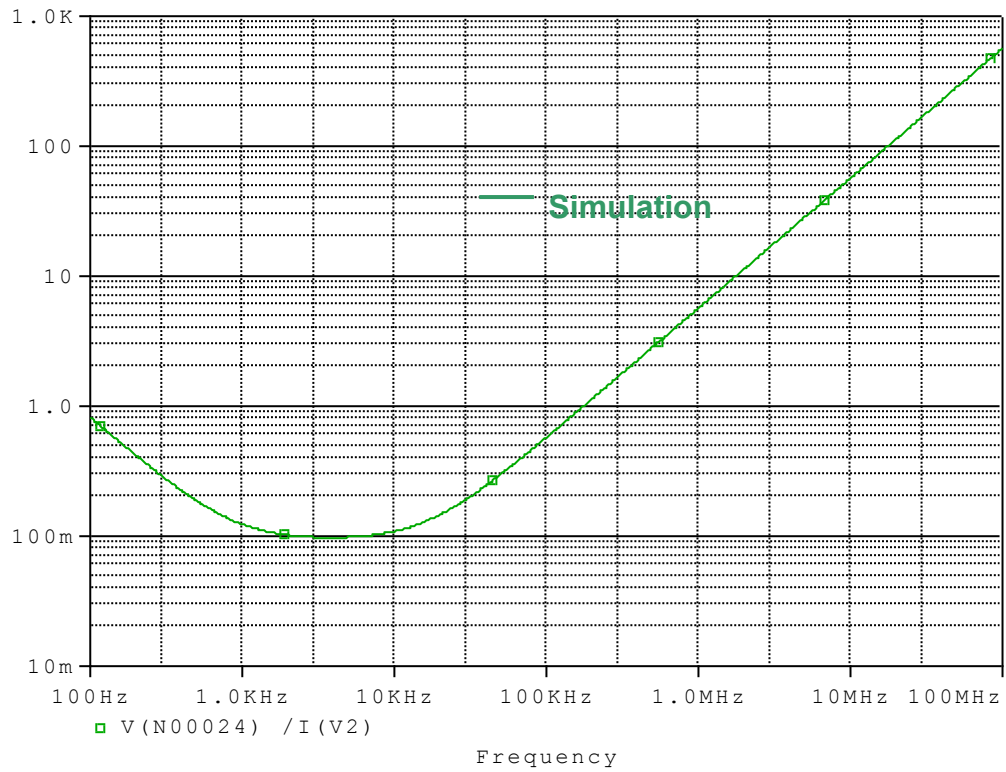
	Measurement	
R1		
C1		
L1		

Equivalent circuit

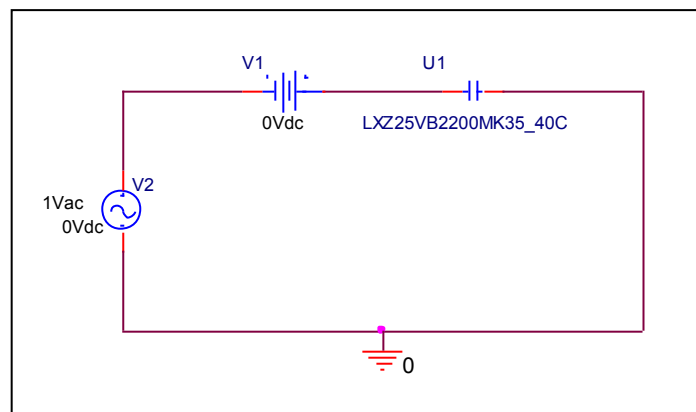


Frequency vs. IZI Characteristic

Circuit Simulation result



Evaluation Circuit



Simulation result

Frequency (Hz)	IZI (Ω)		% Error
	Measurement	Simulation	
100	793.229m	820.172m	3.397
1K	120.516m	123.551m	2.518
10K	108.374m	109.021m	0.597
100K	563.647m	575.623m	2.125
1M	5.667	5.682	0.266
10M	54.138	56.811	4.937