

Device Modeling Report

COMPONENTS:
DIODE/ SCHOOTKY RECTIFIER / STANDARD
PART NUMBER: EA30QS06-F
MANUFACTURER: NIEC

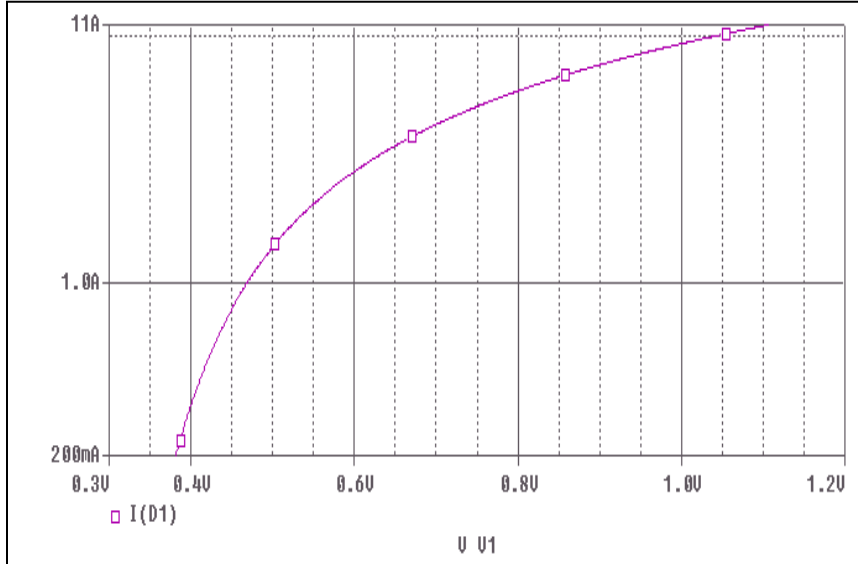


Bee Technologies Inc.

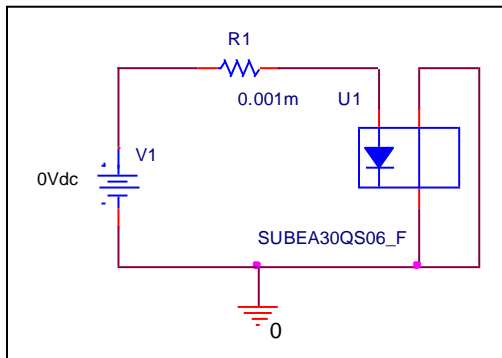
PSpice model parameter	Model description
IS	Saturation Current
N	Emission Coefficient
RS	Series Resistance
IKF	High-injection Knee Current
CJO	Zero-bias Junction Capacitance
M	Junction Grading Coefficient
VJ	Junction Potential
ISR	Recombination Current Saturation Value
BV	Reverse Breakdown Voltage(a positive value)
IBV	Reverse Breakdown Current(a positive value)
TT	Transit Time
EG	Energy-band Gap

Forward Current Characteristic

Circuit Simulation Result

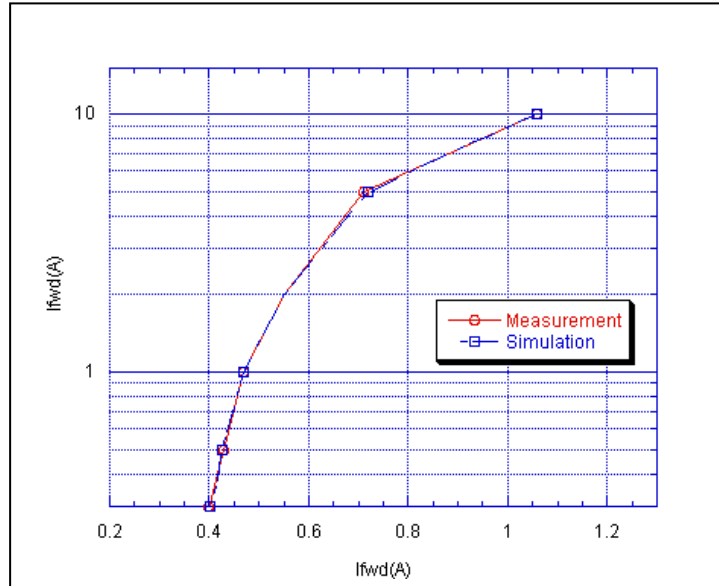


Evaluation Circuit



Comparison Graph

Circuit Simulation Result

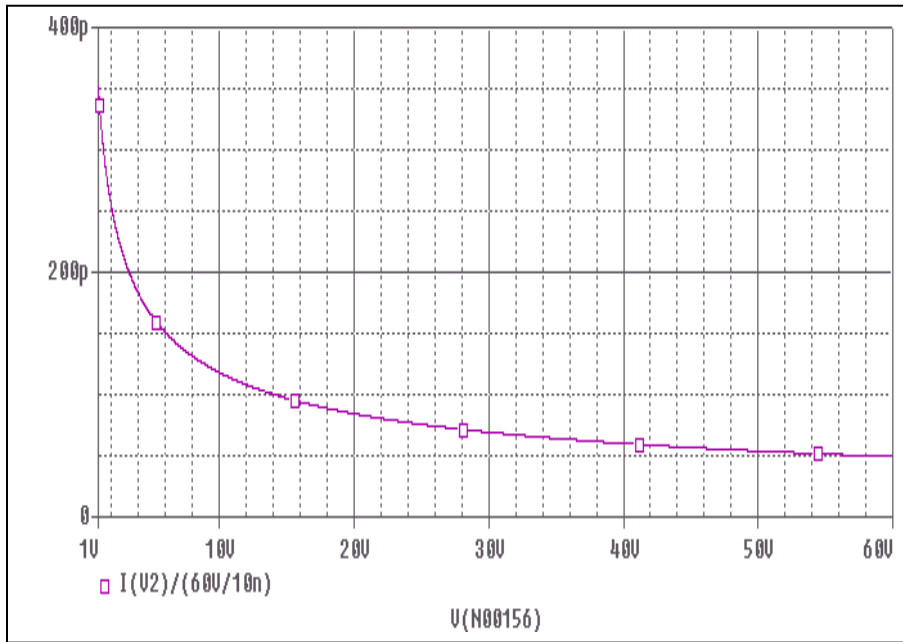


Simulation Result

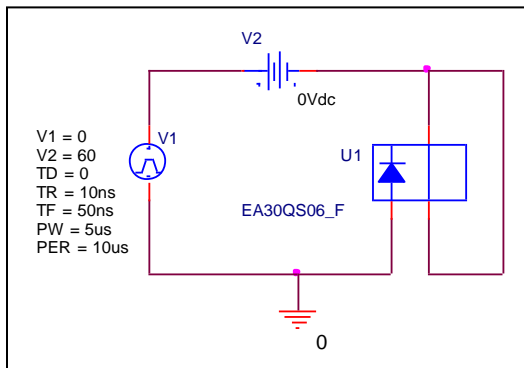
Ifwd(A)	Vfwd(V) Measurement	Vfwd(V) Simulation	%Error
0.5	0.430	0.427	-0.70
1	0.470	0.469	-0.32
2	0.550	0.548	-0.36
5	0.710	0.715	0.70
10	1.060	1.055	-0.47

Junction Capacitance Characteristic

Circuit Simulation Result

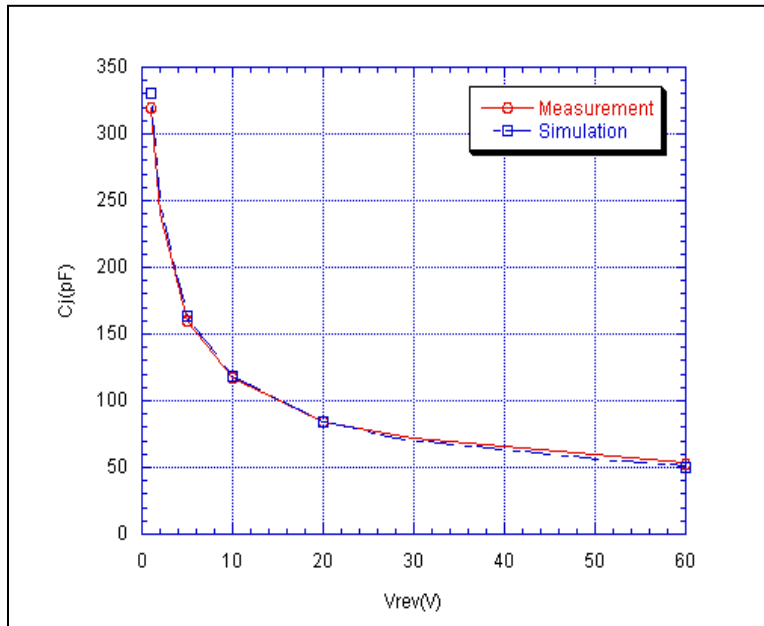


Evaluation Circuit



Comparison Graph

Circuit Simulation Result



Simulation Result

Vrev(V)	Cj(pF) Measurement	Cj(pF) Simulation	%Error
1	320.000	331.100	3.47
2	240.000	247.000	2.92
5	160.000	163.700	2.31
10	117.000	118.000	0.85
20	84.000	84.300	0.36
60	52.000	50.000	-3.85