

# Device Modeling Report

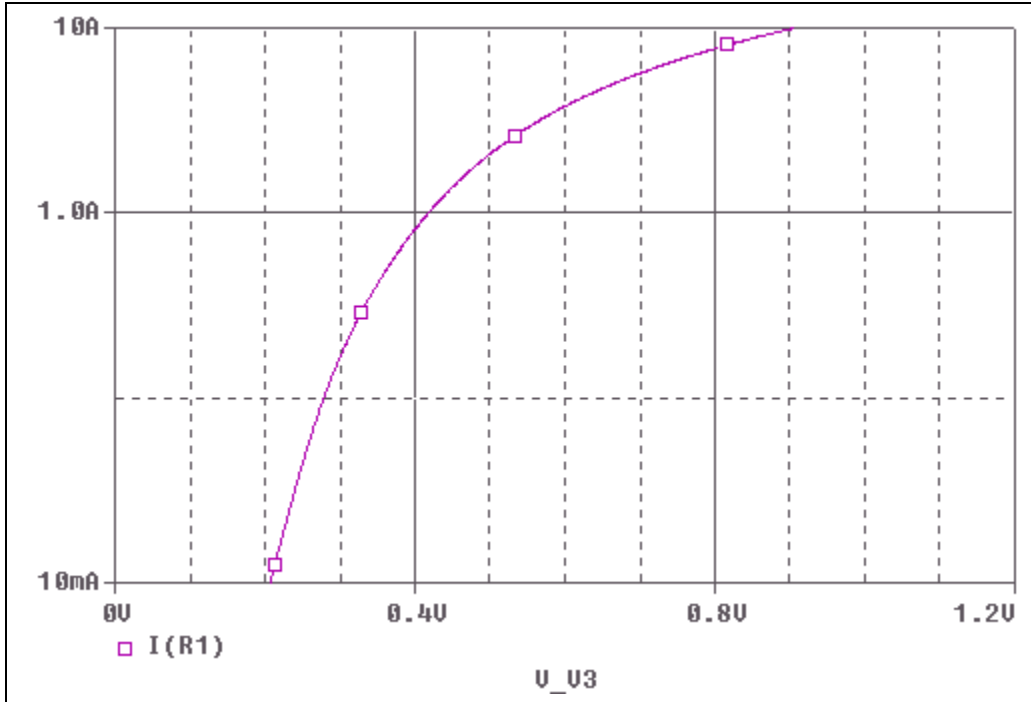
COMPONENTS:  
DIODE/ SCHOTTKY RECTIFIER/PROFESSIONAL  
PART NUMBER: 1N5818  
MANUFACTURER: ON SEMICONDUCTOR



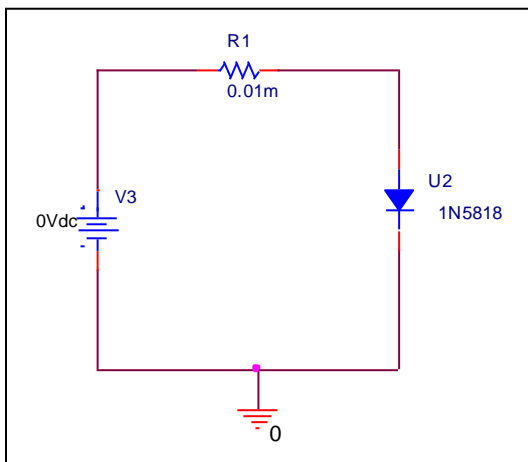
**Bee Technologies Inc.**

# Forward Current Characteristic

## Circuit Simulation Result

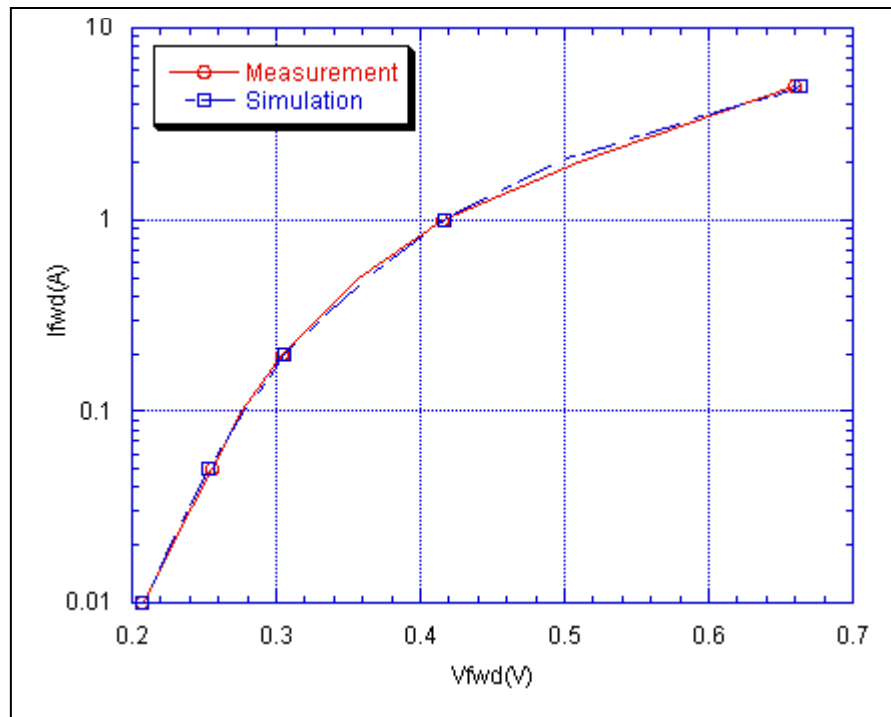


## Evaluation Circuit



# Comparison Graph

## Circuit Simulation Result

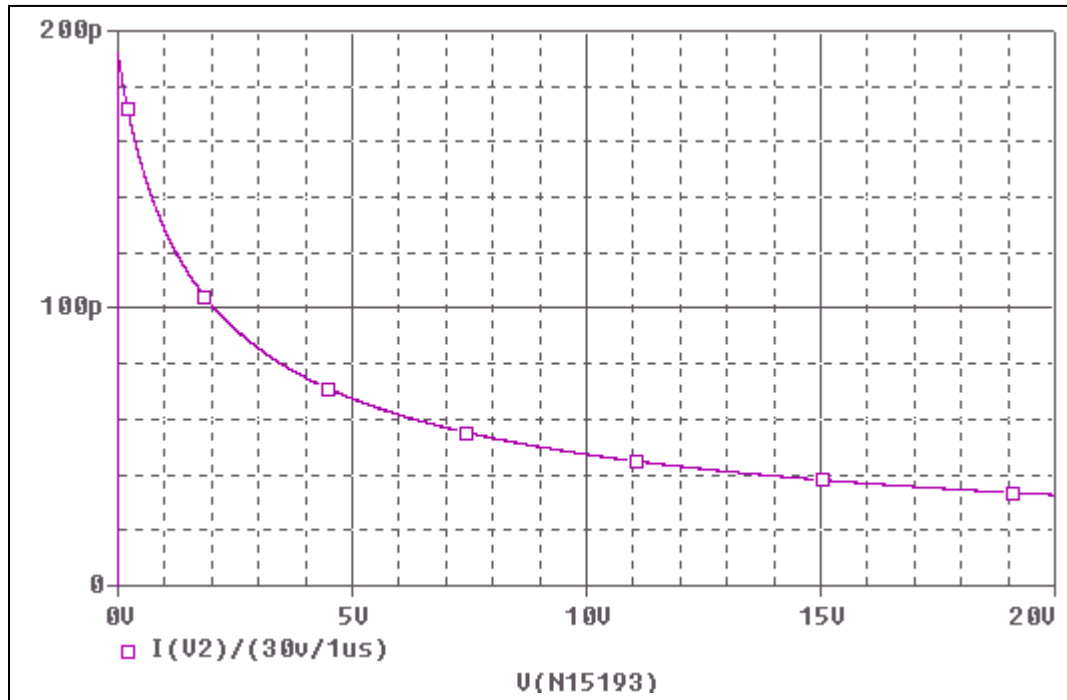


## Simulation Result

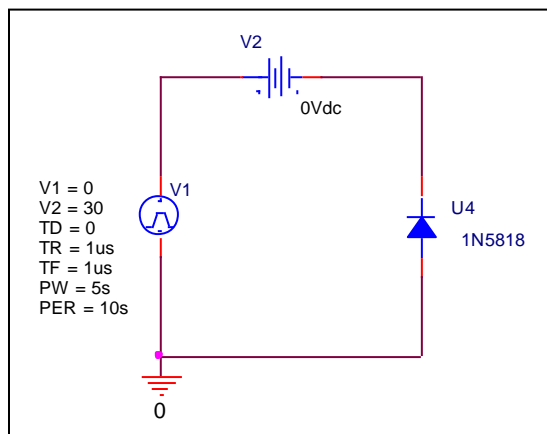
$I_{fwd}$ (A)	Vfwd(V) Measurement	Vfwd(V) Simulation	%Error
0.01	0.21	0.21	-0.98
0.02	0.23	0.23	-0.88
0.05	0.26	0.25	-1.19
0.1	0.28	0.28	0.36
0.2	0.30	0.31	1.30
0.5	0.36	0.36	1.38
1	0.42	0.42	0.48
2	0.51	0.50	-3.03
5	0.66	0.66	0.60

# Junction Capacitance Characteristic

## Circuit Simulation Result

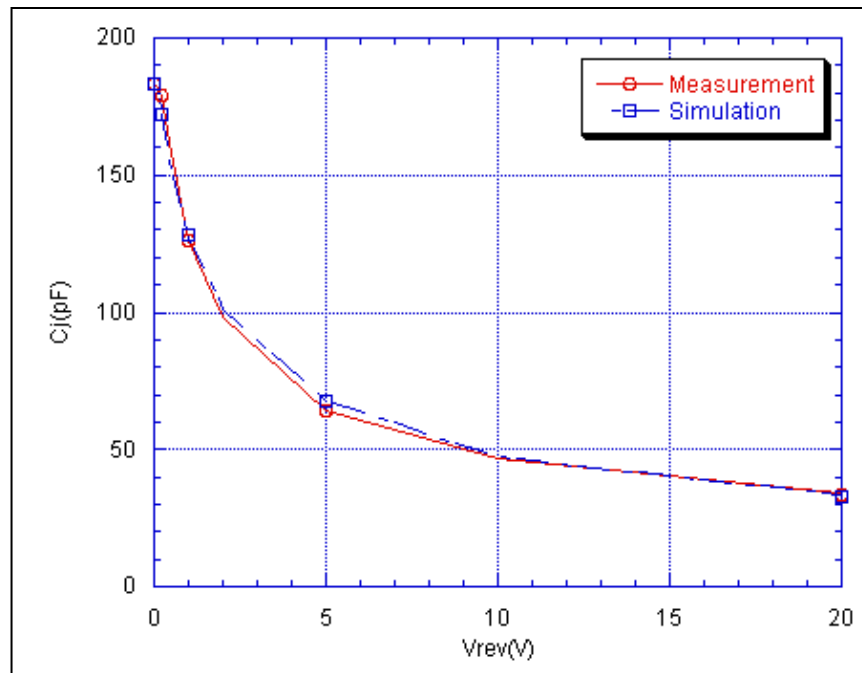


## Evaluation Circuit



## Comparison Graph

### Circuit Simulation Result

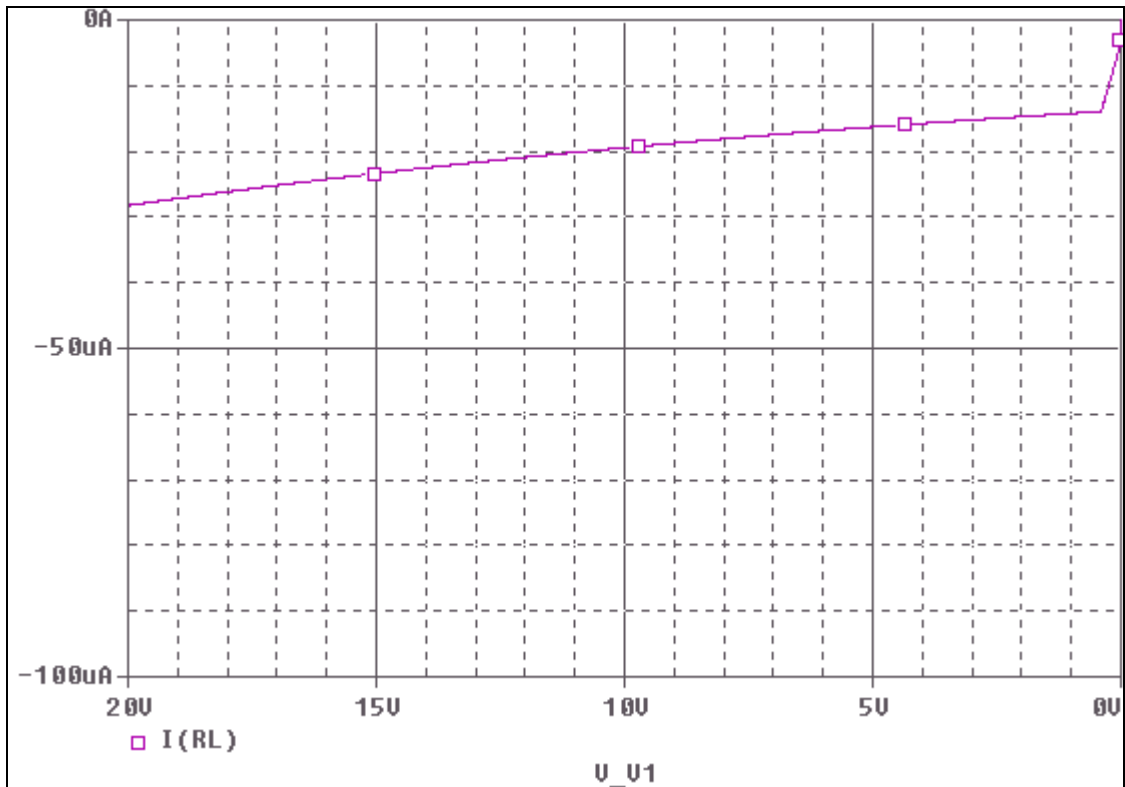


### Simulation Result

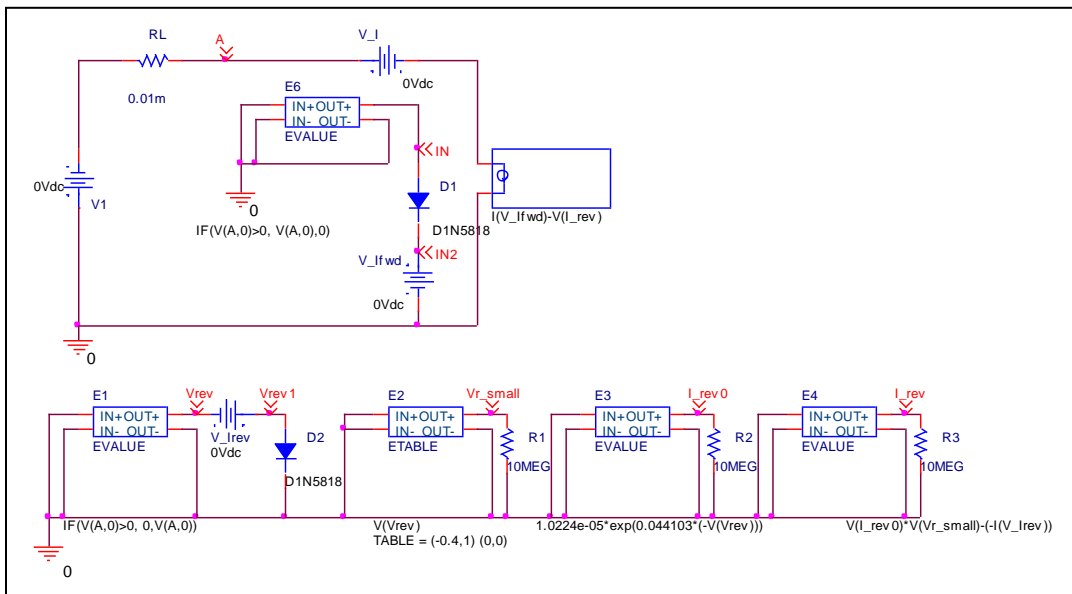
Vrev(V)	Cj(pF) Measurement	Cj(pF) Simulation	%Error
0	183.51	183.51	0.00
0.1	181.78	181.36	-0.24
0.2	179.31	172.34	-4.04
0.5	157.97	151.62	-4.19
1	126.08	128.33	1.75
2	98.43	101.27	2.81
5	64.20	67.41	4.76
10	46.66	47.37	1.49
20	33.55	32.78	-2.36

# Reverse Characteristic

## Circuit Simulation Result

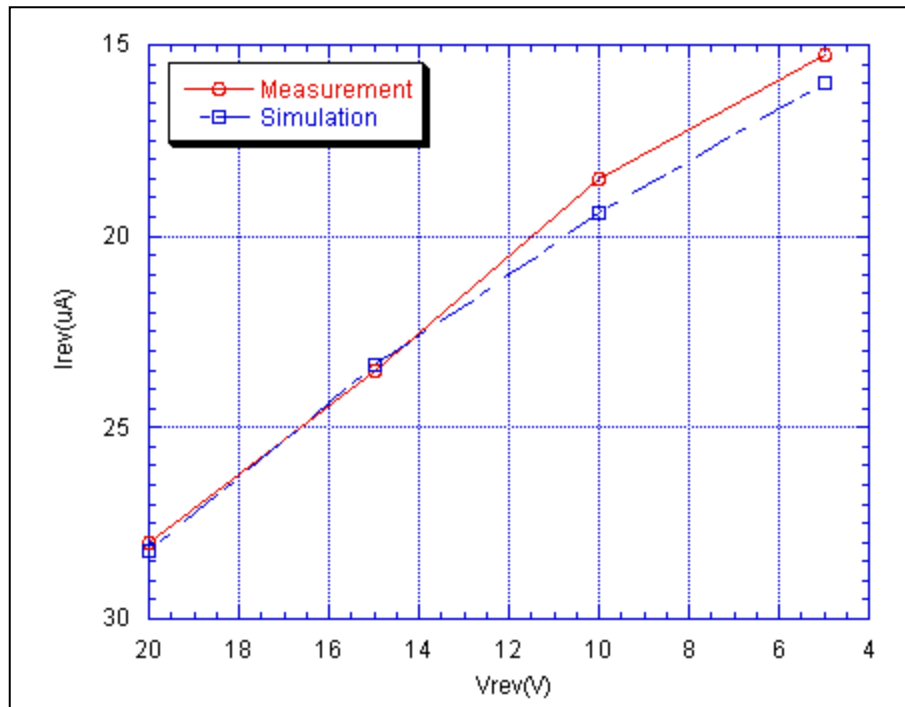


## Evaluation Circuit



## Comparison Graph

### Circuit Simulation Result



### Simulation Result

Vrev(V)	Irev(uA) Measurement	Irev(uA) Simulation	%Error
5	15.25	16	4.918
10	18.5	19.4	4.864
15	23.5	23.35	0.638
20	28	28.2	0.714

# Reverse Characteristic

# Reference

