

Device Modeling Report

COMPONENTS:
DIODE/ SCHOOTKY RECTIFIER / STANDARD
PART NUMBER: HRU0302A
MANUFACTURER: RENESAS

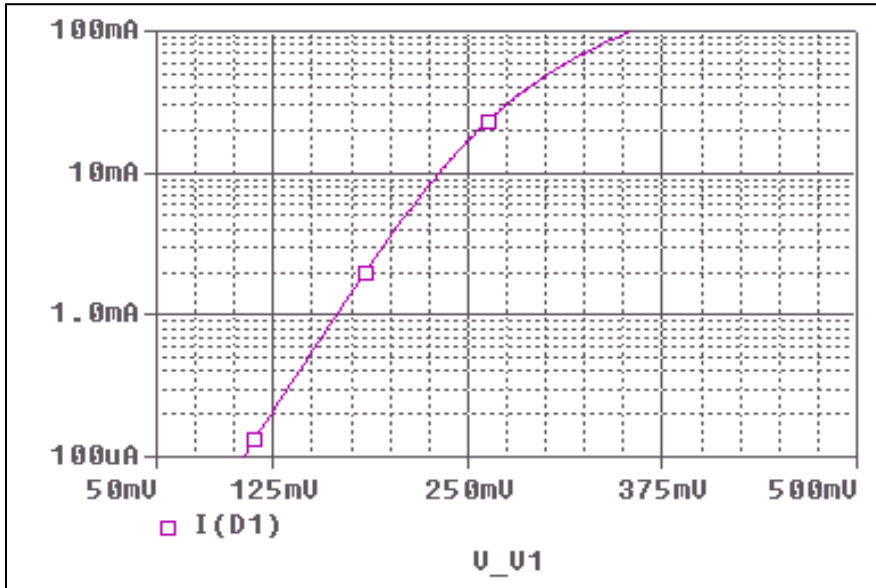


Bee Technologies Inc.

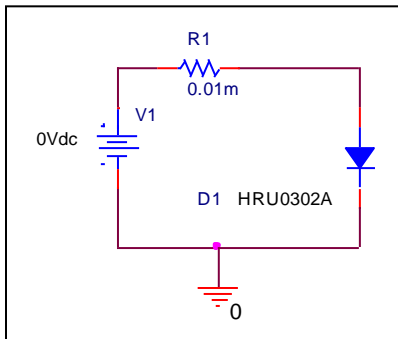
PSpice model parameter	Model description
IS	Saturation Current
N	Emission Coefficient
RS	Series Resistance
IKF	High-injection Knee Current
CJO	Zero-bias Junction Capacitance
M	Junction Grading Coefficient
VJ	Junction Potential
ISR	Recombination Current Saturation Value
BV	Reverse Breakdown Voltage(a positive value)
IBV	Reverse Breakdown Current(a positive value)
TT	Transit Time
EG	Energy-band Gap

Forward Current Characteristic

Circuit Simulation Result

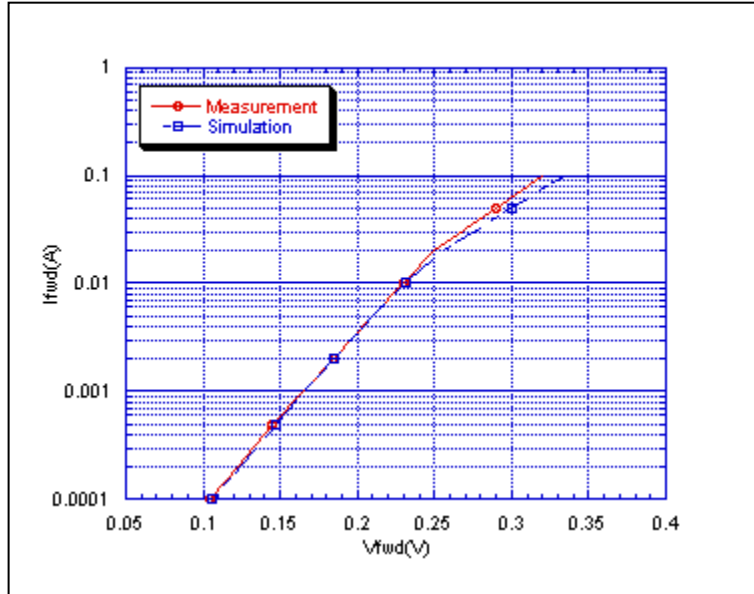


Evaluation Circuit



Comparison Graph

Circuit Simulation Result

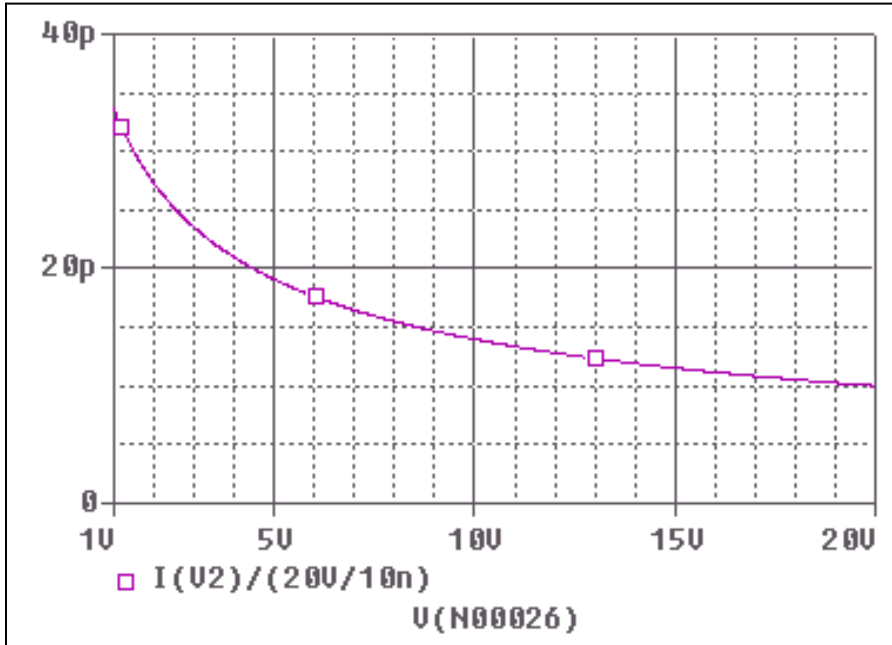


Simulation Result

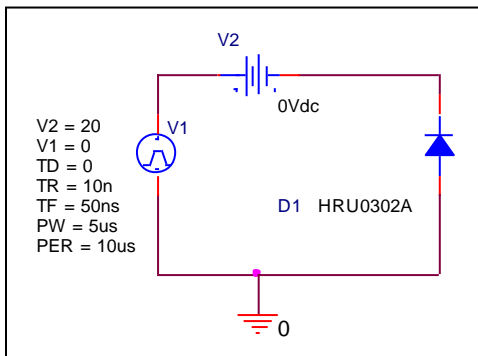
I_{fwd} (A)	V_{fwd} (V) Measurement	V_{fwd} (V) Simulation	%Error
0.0001	0.105	0.106	0.57
0.0002	0.123	0.123	0.33
0.0005	0.145	0.147	1.52
0.001	0.165	0.165	0.24
0.002	0.185	0.184	-0.43
0.005	0.210	0.210	-0.05
0.01	0.230	0.231	0.61
0.02	0.250	0.257	2.64
0.05	0.290	0.300	3.45
0.1	0.320	0.335	4.69

Junction Capacitance Characteristic

Circuit Simulation Result

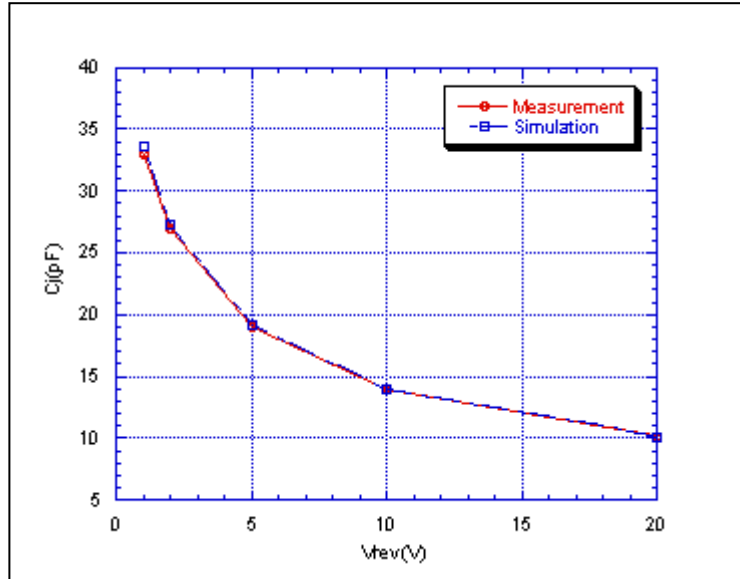


Evaluation Circuit



Comparison Graph

Circuit Simulation Result



Simulation Result

Vrev(V)	Cj(pF) Measurement	Cj(pF) Simulation	%Error
1	33.000	33.600	1.82
2	27.000	27.200	0.74
5	19.000	19.100	0.53
10	14.000	13.900	-0.71
20	9.980	10.000	0.20