

Device Modeling Report

COMPONENTS : CHOKE COIL
PART NUMBER : 8RHB
VALUE : 10 μ H
CURRENT MAX : 2.3 A
MANUFACTURER : TOKO



Bee Technologies Inc.

Theory: Auto Balancing Bridge Method

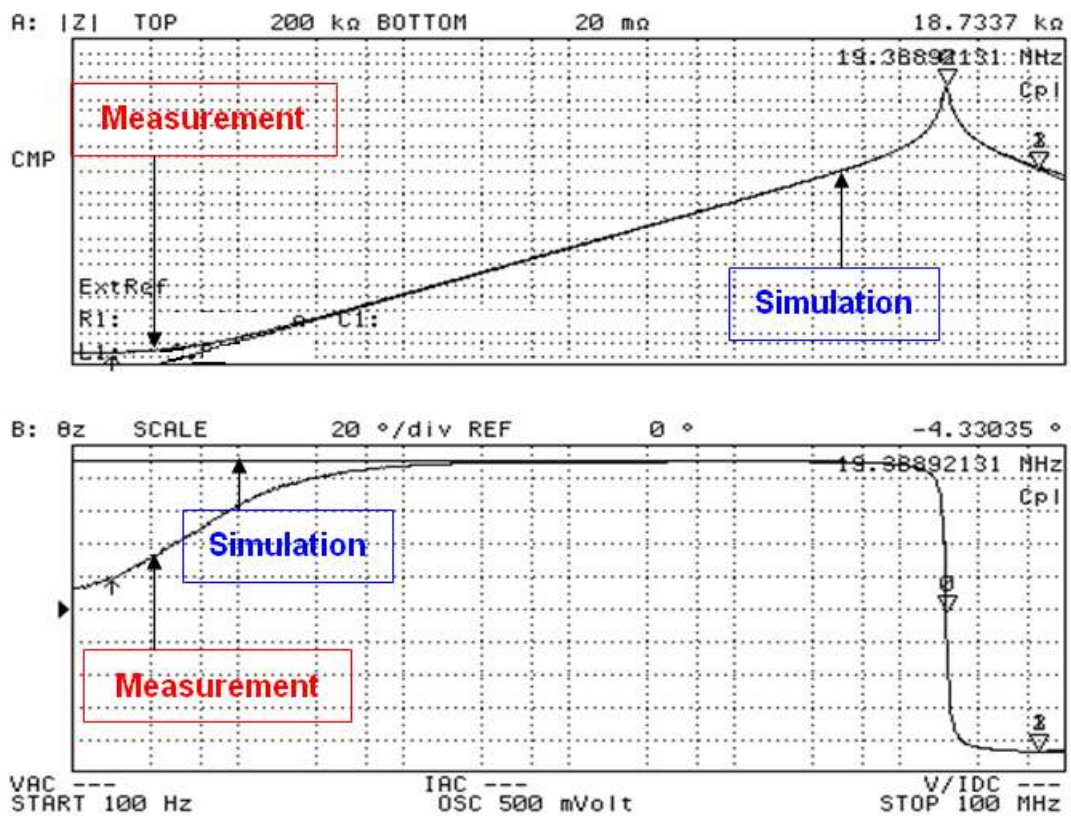
Optimization of Simulation

Range of adjustment Frequency: 100 to 100M(Hz)

Frequency vs. $|Z|$ and Frequency vs. θz Characteristic

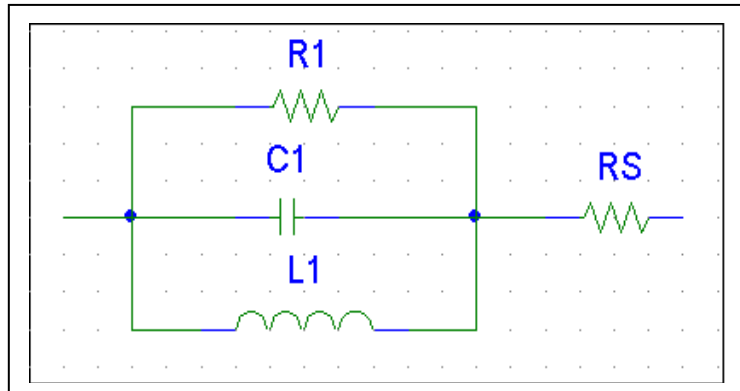
Attention)

Please use SPICE MODEL within the range from 100 to 100M(Hz)



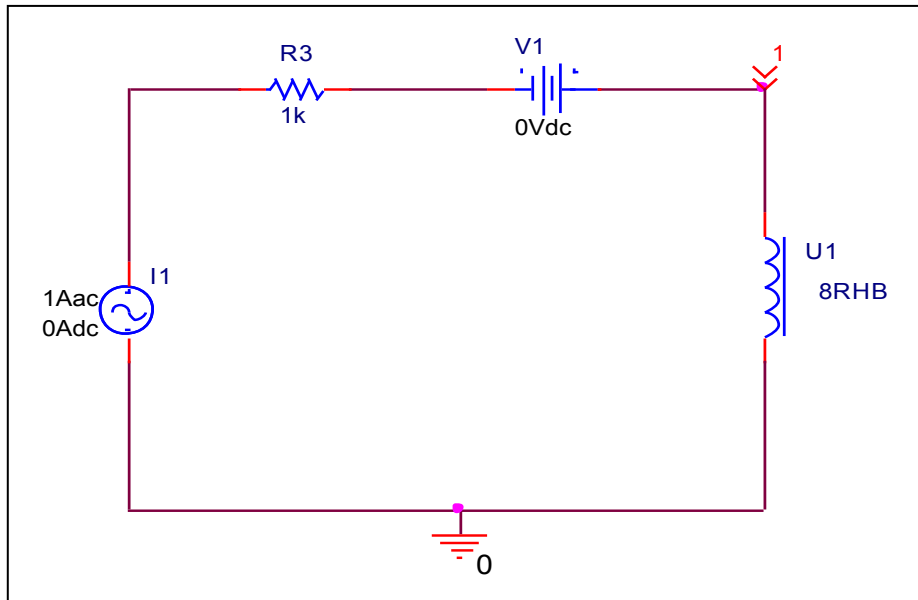
L1	
C1	
R1	

Equivalent circuit

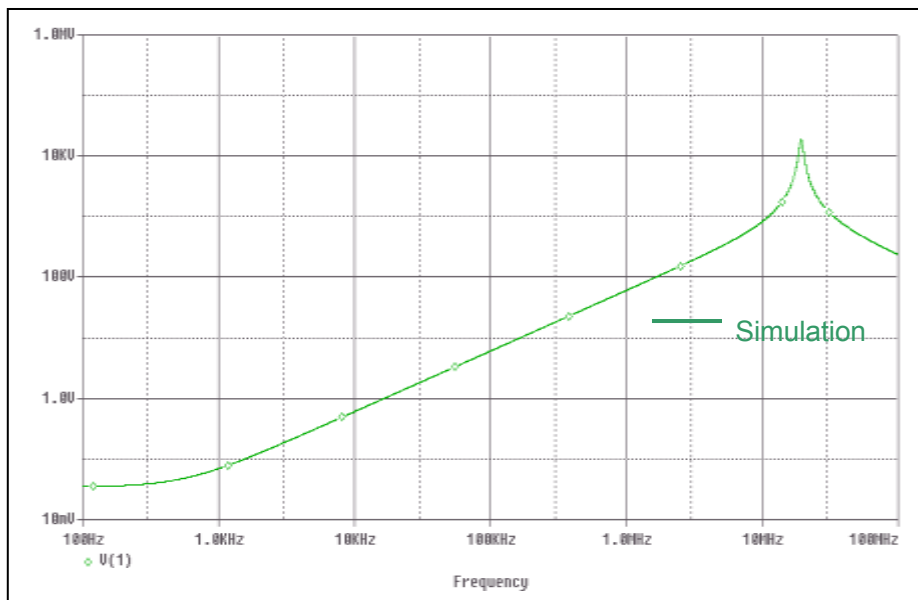


Frequency vs. |Z| Characteristic

Evaluation circuit



Simulation result



Comparison Table

Frequency (Hz)	Z (ohm) : Measurement	Z (ohm) : Simulation	% Error
100	33.8191 m	34.931 m	-3.288
100K	6.32555	6.0512	4.337
1M	61.938	60.672	2.044
10M	833.269	838.075	-0.577

	Measurement	Simulation	% Error
F_{SRF} (Hz)	19.389 M	19.364 M	0.129
 Z (ohm), at F_{SRF}	18.7211 k	18.753 k	-0.170